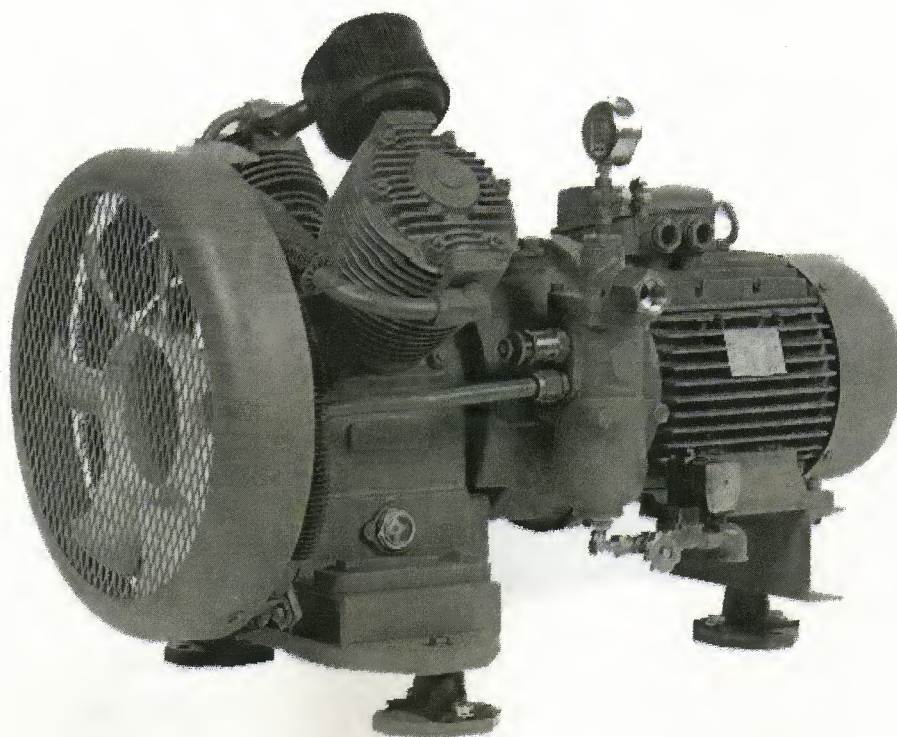




Deno Compressors

INSTRUCTION MANUAL L2-20

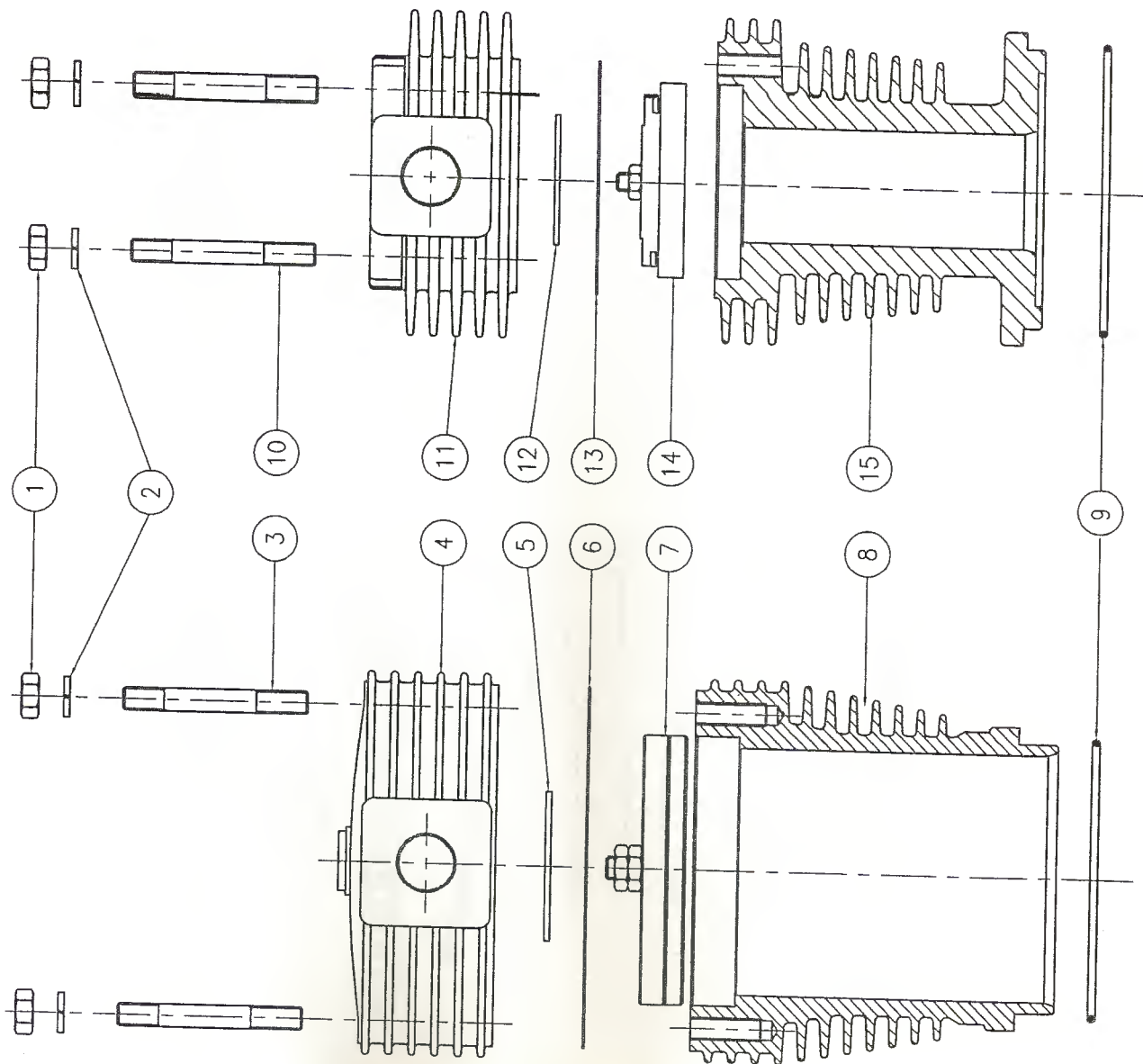
Installation, operation and maintenance



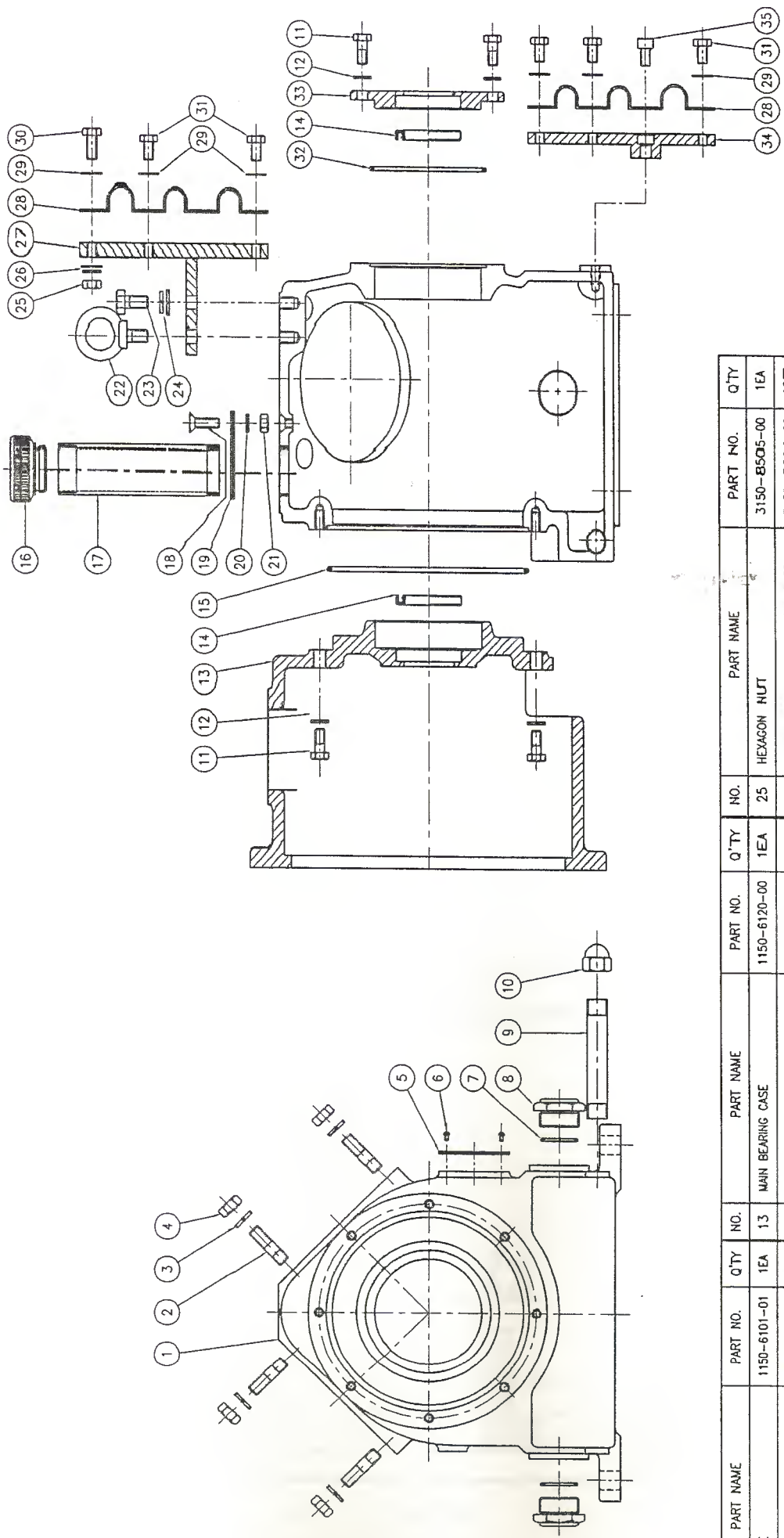
STARTING AIR COMPRESSORS

WWW.DENOCOMP.NL

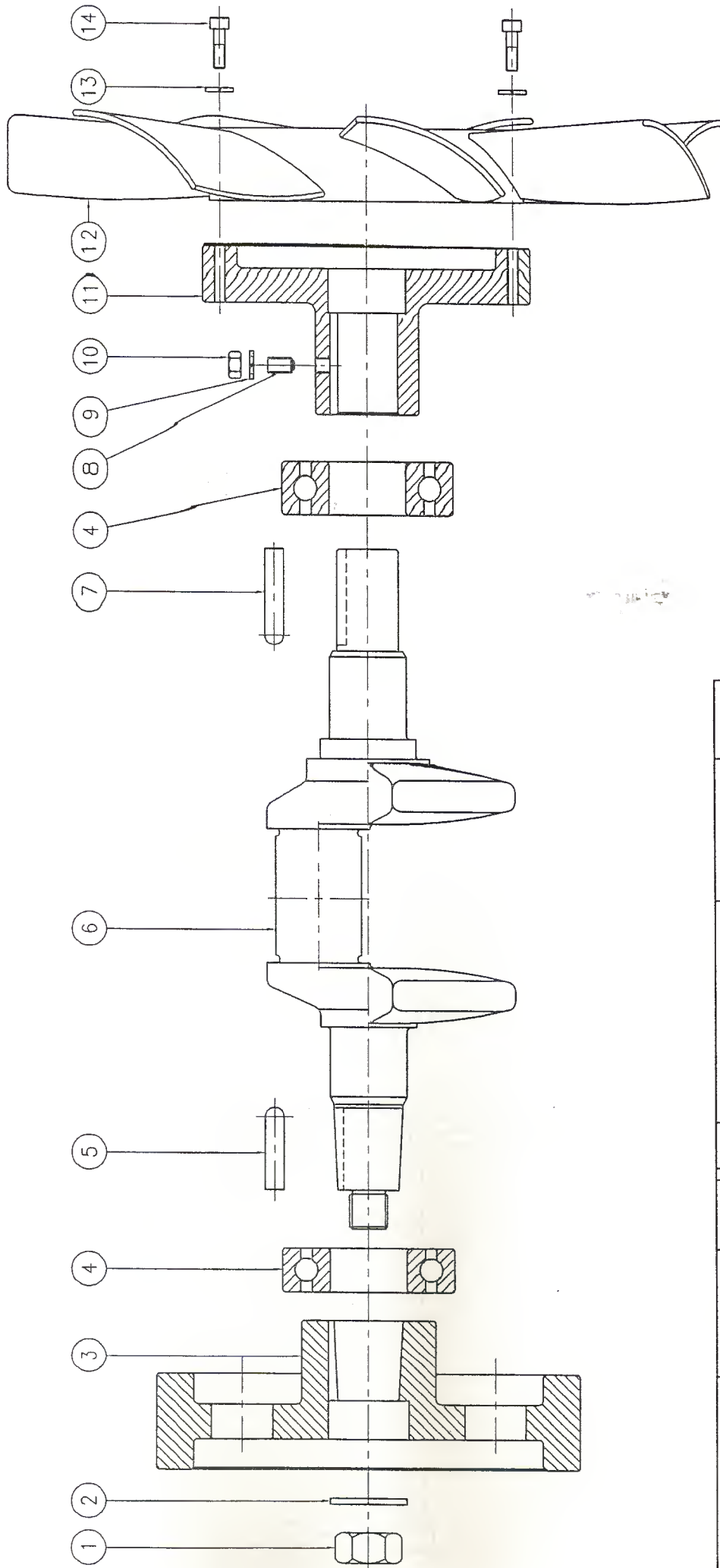
DENO MARINE COMPRESSED AIRSYSTEMS



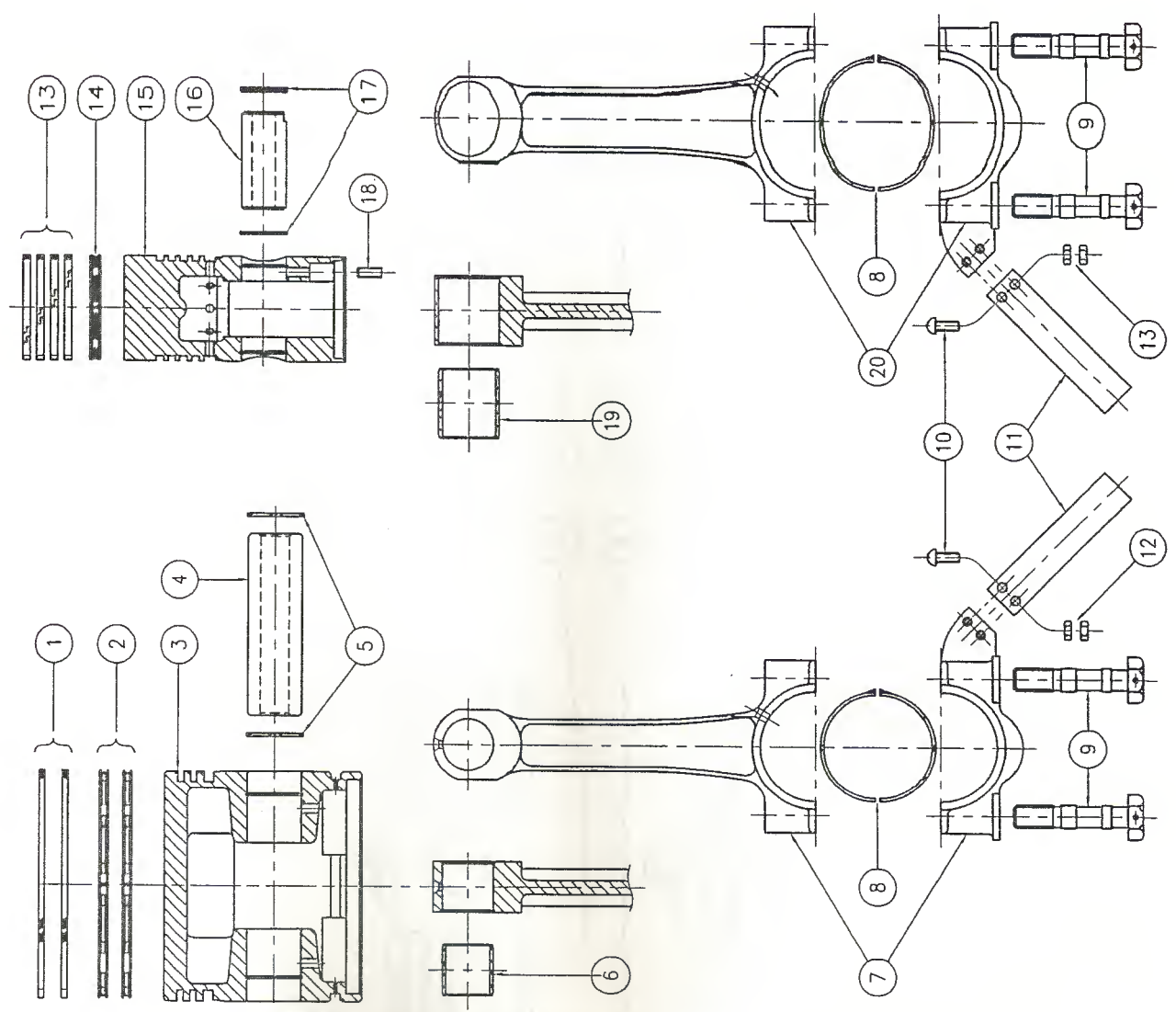
NO.	PART NAME	PART NO.	Q'TY
1	HEXAGON NUT	3150-3104-00	10EA
2	SPRING WASHER	3150-3105-00	10EA
3	STUD BOLT	1150-3103-00	6EA
4	L.P. CYLINDER HEAD	1150-1101-00	1EA
5	GASKET RING	2150-1102-00	1EA
6	HEAD PACKING	2150-1103-00	1EA
7	L.P. CONCENTRIC VALVE COMPLETE	0150-7100-00	1SET
8	L.P. CYLINDER	1150-3101-00	1EA
9	O-RING	3150-3102-00	2EA
10	STUD BOLT	1150-3203-00	4EA
11	H.P. CYLINDER HEAD	1150-1201-00	1EA
12	GASKET RING	2150-1202-00	1EA
13	HEAD PACKING	2150-1203-00	1EA
14	H.P. CONCENTRIC VALVE COMPLETE	0150-7200-00	1SET
15	H.P. CYLINDER	1150-3201-00	1EA



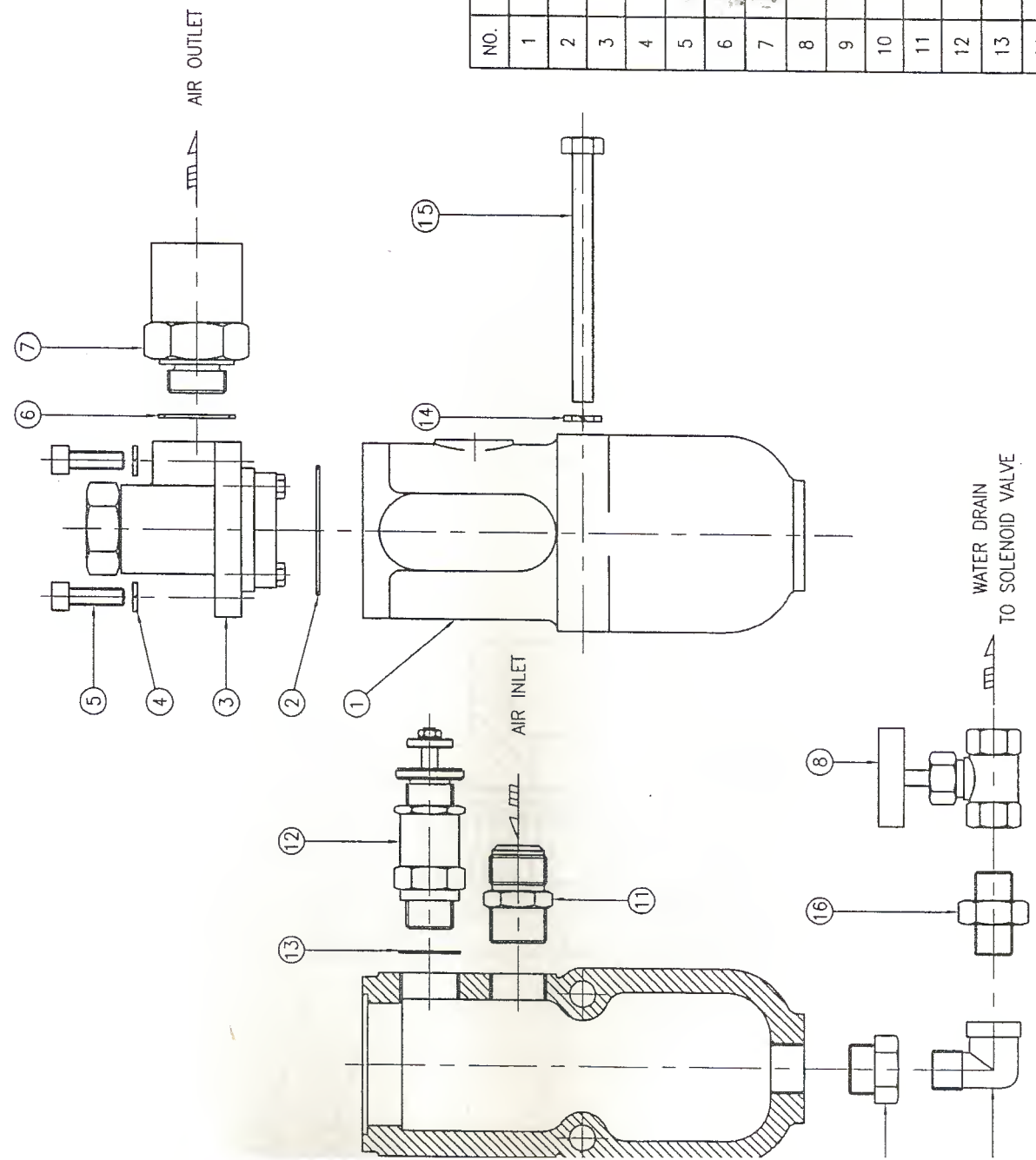
PART NAME	PART NO.	QTY	NO.	PART NAME	PART NO.	QTY	NO.	PART NAME	PART NO.	QTY
CRANK CASE	1150-6101-01	1EA	13	MAIN BEARING CASE	1150-6120-00	1EA	25	HEXAGON NUT	3150-8505-00	1EA
STUD BOLT	1150-6102-00	8EA	14	OIL SEAL	3150-6121-00	2EA	26	SPRING WASHER & PLATE WASHER	3150-8506-00	1SET
SPRING WASHER	3150-6104-00	8EA	15	MAIN BEARING CASE O-RING	3150-6122-00	1EA	27	COOLER BRACKET-1	1150-8501-00	1EA
HEXAGON NUT	3150-6103-00	8EA	16	AIR VENT VALVE COMPLETE	0150-6140-00	1SET	28	PIPE HOLDER	2150-8502-00	3EA
NAME PLATE	2150-6150-00	1EA	17	AIR VENT PIPE	1150-6141-00	1EA	29	PLATE WASHER	3150-8504-00	9EA
ROUND-HEADED RIVET	3150-6151-00	4EA	18	DISH HEAD BOLT	3150-6111-00	1EA	30	HEXAGON BOLT	3150-8503-00	1EA
RUBBER PACKING	3150-6105-00	2EA	19	OIL DRIP PAN	1150-6110-00	1EA	31	HEXAGON BOLT	3150-8507-00	6EA
L.O LEVEL GAUGE	3150-6106-00	2EA	20	SPRING WASHER	3150-6113-00	1EA	32	MAIN BEARING COVER O-RING	3150-6132-00	1EA
L.O PLUG	1150-6107-00	1EA	21	NUT	3150-6112-00	1EA	33	MAIN BEARING COVER	1150-6130-00	1EA
L.O PLUG CAP	3150-6108-00	1EA	22	LIFTING LUG	3150-6114-00	1EA	34	COOLER BRACKET-2	1150-8509-00	2EA
HEXAGON BOLT	3150-6123-00	12EA	23	HEXAGON BOLT	3150-6115-00	1EA	35	HEXAGON BOLT	3150-8508-00	2EA
SPRING WASHER	3150-6124-00	12EA	24	SPRING WASHER & PLATE WASHER	3150-6116-00	1SET	36	WRENCH BOLT	3150-8560-00	2EA



PART NAME	PART NO.	Q'TY	NO.	PART NAME	PART NO.	Q'TY
SHAFT NUT	3150-5105-F0	1EA	8	SET SCREW	3150-8554-00	1EA
PLATE	3150-5106-F0	1EA	9	SPRING WASHER	3150-8556-00	4EA
FLEXIBLE COUPLING	1150-8701-F2	1EA	10	LOCK NUT	3150-8555-00	4EA
MAIN BEARING	3150-5102-00	2EA	11	FAN FLANGE	1150-8551-01	1EA
KEY	3150-5104-F0	1EA	12	COOLING FAN	3150-8550-01	1EA
CRANK SHAFT	1150-5101-F2	1EA	13	SPRING WASHER	3150-8553-00	4EA
KEY	3150-5103-00	1EA	14	HEXAGON BOLT	3150-8552-00	4EA



NO.	PART NAME	PART NO.	Q'TY
1	PISTON RING	2150-2102-00	2EA
2	PISTON OIL RING	2150-2103-00	2EA
3	L.P. PISTON	1150-2101-00	1EA
4	PISTON PIN	2150-2104-00	1EA
5	SNAP RING	3150-2105-00	2EA
6	PISTON PIN BUSH	2150-4103-00	1EA
7	L.P. CONNECTING ROD	1150-4101-00	1SET
8	CRANK PIN METAL	2150-4102-00	2SET
9	CONNECTING ROD REAMER BOLT	1150-4104-00	4EA
10	SCREW	3150-4106-00	4EA
11	ROD OIL SCRAPER	1150-4105-00	2EA
12	NUT	3150-4107-00	8EA
13	PISTON RING	2150-2202-00	4EA
14	PISTON OIL RING	2150-2203-00	1EA
15	H.P. PISTON	1150-2201-01	1EA
16	PISTON PIN	2150-2204-01	1EA
17	SNAP RING	3150-2205-00	2EA
18	SCREW	3150-2206-00	1EA
19	PISTON PIN BUSH	2150-4203-00	1EA
20	H.P. CONNECTING ROD	1150-4201-00	1SET



NO.	PART NAME	PART NO.	Q'TY
1	DRAIN SEPARATOR BODY	1150-8201-F0	1EA
2	DRAIN SEPARATOR COVER O-RING	3150-8102-00	1EA
3	NON-RETURN VALVE	0150-8210-00	1SET
4	SPRING WASHER	3150-8106-00	4EA
5	WRENCH BOLT	3150-8105-00	4EA
6	COPPER PACKING	2150-8221-00	1EA
7	OUTLET JOINT	2150-8220-F0	1EA
8	DRAIN VALVE	3150-8209-00	1EA
9	STREET ELBOW	3150-8208-00	1EA
10	BUSHING	3150-8109-00	1EA
11	FLARE MALE CONNECTOR	3150-8103-00	1EA
12	H.P. SAFETY VALVE	0150-7600-00	1SET
13	COPPER PACKING	3150-7508-00	1EA
14	SPRING WASHER	3150-8111-00	2EA
15	HEXAGON BOLT	3150-8110-00	2EA
16	NIPPLE	3150-8207-00	1EA