



Spare parts Catalog

M26.2
12 M26.2



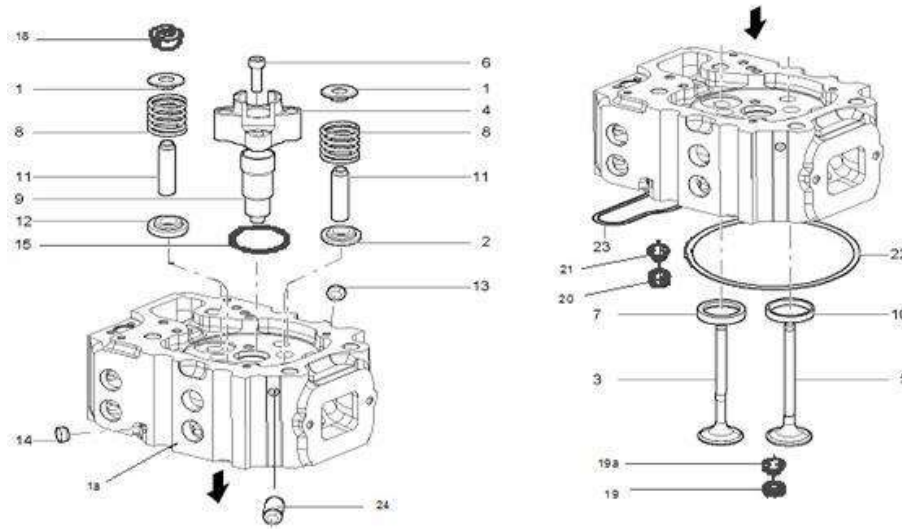
MOTEURS BAUDOUIN

Tel:

Fax:

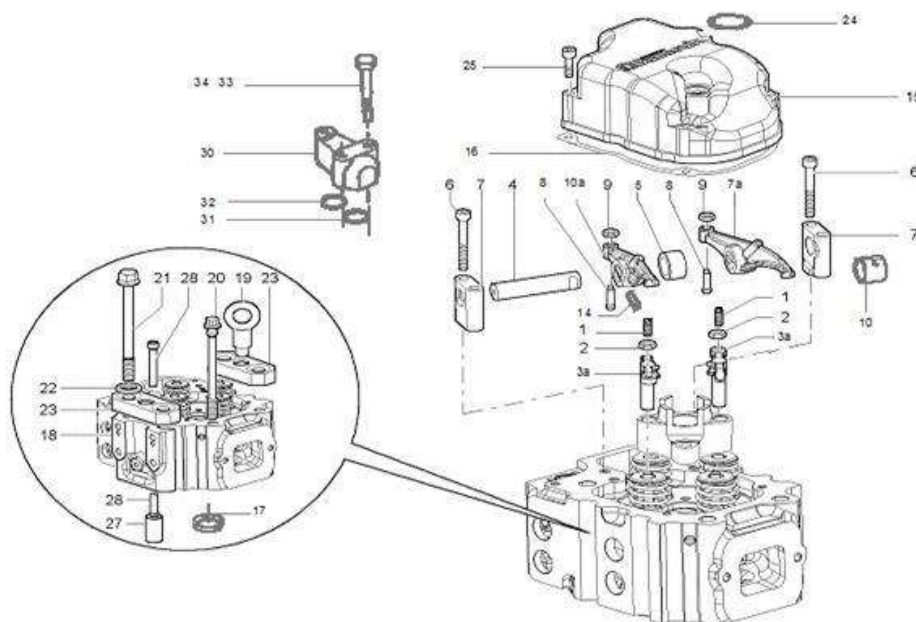
E-mail: web.spare-parts@moteurs-baudouin.fr

Website:



Rep	Reference	Description	Qty	Remarks
1a	15511050M	CYLINDER HEAD ASSEMBLY M26.2	1	Kit containing:
1	15012610E	TOP CUP M26.2	4	Is in N°15511050M
2	15012750G	INLET LOWER CUPEL	2	Is in N°15511050M
3	14011470J	EXHAUST VALVE	2	Is in N°15511050M
4	15010330B	VALVE BRIDGE GUIDE	1	Is in N°15511050M
5	15012820H	INTAKE VALVE	2	Is in N°15511050M
6	77753190M	SCREW CHC 10 1.50 35 35 12.9	2	Is in N°15511050M
7	15012810X	EXHAUST VALVE SEAT M26.2	2	Is in N°15511050M
8	15012720Z	VALVE SPRING	4	Is in N°15511050M
9	15012730K	INJECTOR SLEEVE ASSEMBLY M26.2	1	Is in N°15511050M
10	15012800L	INLET VALVE SEAT M26.2 //	2	Is in N°15511050M
11	15011040Y	VALVE GUIDE	4	Is in N°15511050M
12	15012740W	EXHAUST LOWER CUPEL	2	Is in N°15511050M
13	77701610X	CUP PLUG 28 STAINLESS	10	Is in N°15511050M
14	77701630T	CUP PLUG 12 STAINLESS	2	Is in N°15511050M
15	77711170N	O RING 35,5 3 NITR	1	Is in N°15511050M
18	14010780J	VALVE COTTER	8	Is in N°15511050M
19	15011050J	SEAL - OIL RETURN	12	
19a	13502590D	TUBE - OIL RETURN	12	
20	15011062X	SEAL - WATER	60	
21	13502380A	TUBE - WATER	60	

22	15011610S	CYLINDER HEAD GASKET E.2, 00	12
23	77713000C	O RING 88,27 5,33 VIT	12
24	77754270L	SCREW HC BP 12 1.75 12 12	12
-	15519410Z	CYL. HEAD GASKET KIT	12
-	15559260P	ROCKER ARM/INJ. GASKET KIT	12

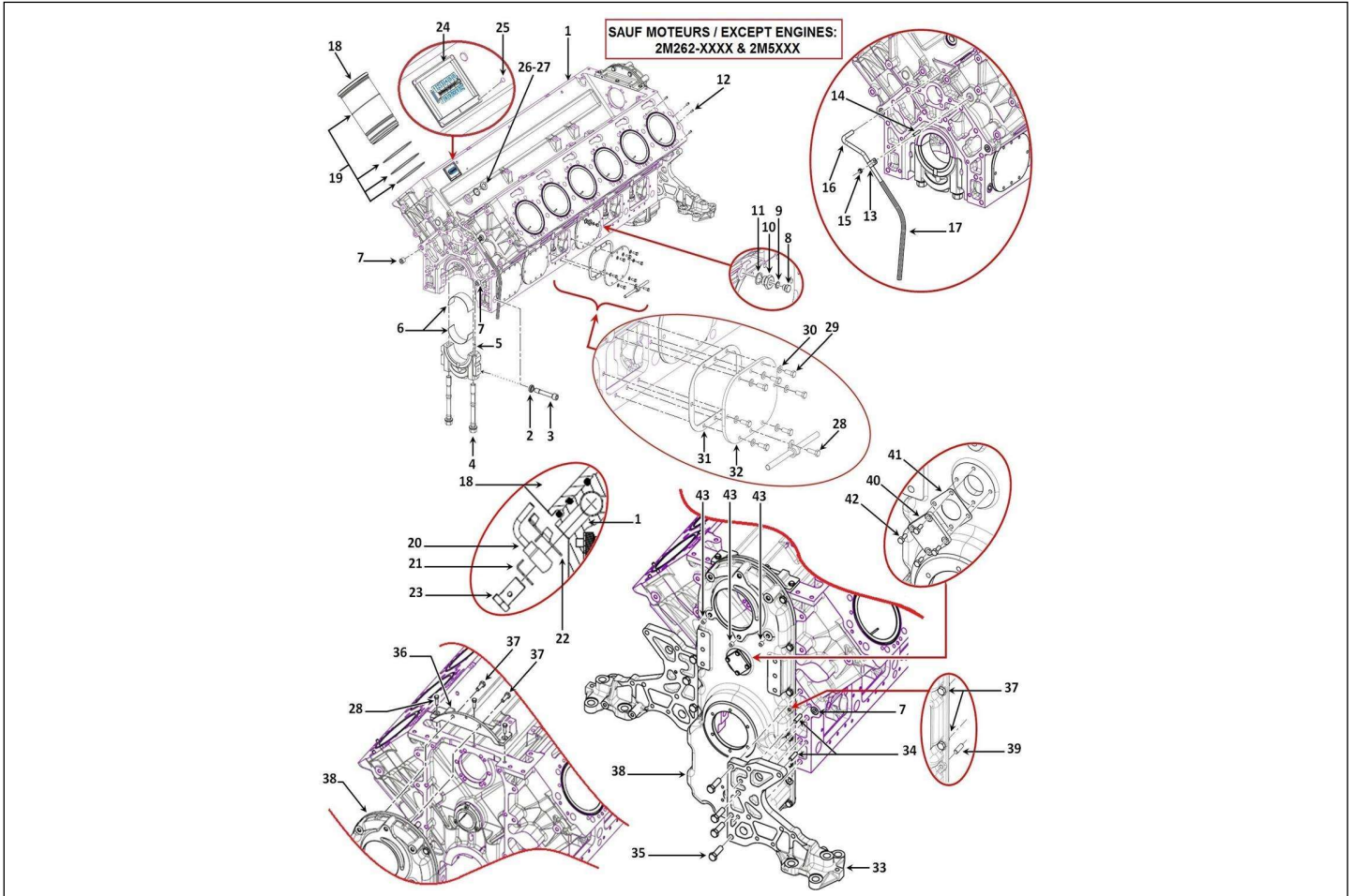


Rep	Reference	Description	Qty	Remarks
3a	13583540S	BRIDGE PIECE ASSEMBLY	2	Kit containing:
1	13504090J	SCREW	1	Is in N°13583540S
2	13504230L	NUT 10X1,00 STEEL	1	Is in N°13583540S
4	13583500Z	ROCKER ARM SHAFT ASSEMBLY	1	
5	13502300N	SPACER 24 36 20	1	
6	77753250C	SCREW CHC 10 1.50 75 32	4	
7	15010320Q	SUPPORT	2	
7a	13583521X	INTAKE ROCKER ARM ASSEMBLY	1	Kit containing:
8	13504190S	ROCKER MECH SWIVEL ART	1	Is in N°13583521X
9	13504230L	NUT 10X1,00 STEEL	1	Is in N°13583521X
10	15020430E	ROCKER COLLAR	1	Is in N°13583521X
10a	13577721S	ROCKER ARM ASSEMBLY - EXHAUST	1	Kit containing:
8	13504190S	ROCKER MECH SWIVEL ART	1	Is in N°13577721S
9	13504230L	NUT 10X1,00 STEEL	1	Is in N°13577721S
10	15020430E	ROCKER COLLAR	1	Is in N°13577721S
14	77707010R	MECA DOWEL PIN 3 X15	1	Is in N°13577721S
15	15010361K	ROCKER COVER	12	
16	15010371W	CYL. COVER HEAD GASKET	12	
17	15010380F	GASKET	48	
18	15010540E	END PLATE	4	
19	15010650Z	LIFTING RING 8/12P15.2_IRS	4	

20	15011580K	SPEC SCREW 16 2.00 190 40 CY	48
21	15011591X	SPEC SCREW 20 2.00 225 50 CY	28
22	15011620D	WASHER	28
23	15012130H	TIGHTENING PLATE	14
24	77713190J	O RING 24,6 3,6 NITR	12
25	14400331J	SCREW CHC 8 1.25 60 28 12.9	48
27	13504141P	PUSH ROD	2
28	15012880Y	PUSH ROD M26.2	2
30	15090850Y	BRIDGE WATER CIRCULATION	12
31	15090980P	WATER BRIDGE SQUARE GASKET	12
32	77711340Y	O RING 24 2,5 VITO	12
33	77752120Z	SCREW H 8 1.25 60 22	12
34	77752260B	SCREW H 8 1,25 55 22	24

01 - Cylinder block

BLOCK (4 RINGS)

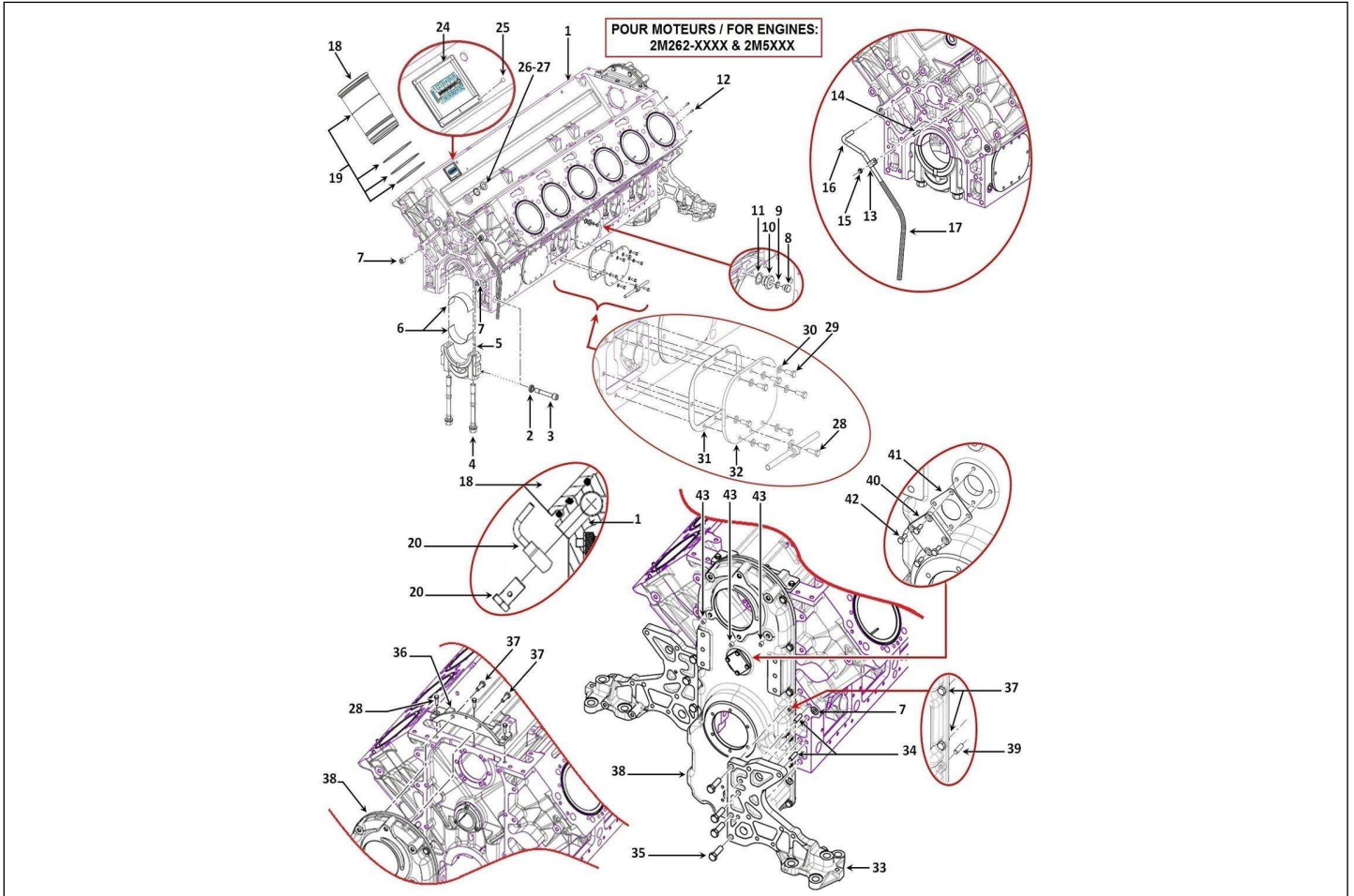


Rep	Reference	Description	Qty	Remarks
1	15510792G	CYLINDER BLOCK 12M26	1	Kit containing:
2	13607900W	WASHER 19 32 10	14	Is in N°15510792G
3	13607910G	SPEC SCREW 18 2,00 108 26	14	Is in N°15510792G
4	15011770R	SPEC SCREW 24 2.00 228 45 BE	14	Is in N°15510792G
5	11217280W	PIN	1	Is in N°15510792G
6	13579960B	MAIN BEARING STANDARD SIZE 117,88	7	Is in N°15510792G
7	15040380P	CONICAL PLUG 24X200 STEEL	4	Is in N°15510792G
8	13502940J	PLUG 10X100	2	Is in N°15510792G
9	77707510K	COPPER RING 10.2 14 1	2	Is in N°15510792G
10	77733040K	BORED PLUG	2	Is in N°15510792G
11	77707580L	COPPER RING 18,2 23,9 1,5	2	Is in N°15510792G
12	14400072C	CYLINDRIC DOWEL PIN 8X16	32	Is in N°15510792G
13	12410430Y	CLIP TUBE	1	Is in N°15510792G
14	77771030D	STUD 8(12. 02.16)	1	Is in N°15510792G
15	77790200Q	NUT H 8	1	Is in N°15510792G
16	15010681H	DRAIN PIPE	1	Is in N°15510792G
17	15011430X	DRAIN PIPE	1	Is in N°15510792G
18	15519591W	LINER - CYLINDER M26	12	Is in N°15510792G / Kit containing:
19	13015090M	CYLINDER LINER SEALS KIT DPDN	1	Is in N°15510792G & in N°15519591W
20	15519330M	PISTON COOLING JET ASSEMBLY M26	12	Is in N°15510792G / Kit containing:
21	14012070L	LOCK-SCREW	12	Is in N°15510792G & in N°15519330M

22	15010811Z	TAB WASHER	12	Is in N°15510792G
23	77720030T	HOLLOW SCREW 14X150	12	Is in N°15510792G
24	15012230R	FIRING ORDER PLATE 12M26	1	Is in N°15510792G
25	77724080W	RIVET 2.5 5 SIM N 2	4	Is in N°15510792G
26	11128190J	PLUG 32X150 BRASS	2	
27	11140200N	COPPER RING 32.3 39,9 2	2	
28	77752040M	SCREW H8 1.25 25 25	8	
29	77752020Q	SCREW H8 1.25 20 20	72	
30	77707760G	COPPER RING 8,2 16 1,5	72	
-	13015290E	INSPECTION DOOR GASKET KIT 6 C	1	Kit containing:
31	13501131S	INSPECTION DOOR GASKET M26 BA	10	Is in N°13015290E
32	13501200S	INSPECTION DOOR	10	
33	15012012E	FRONT ENGINE SUPPORT M26V	2	
34	77706050Y	SLINED PIN 10X36 LGC-G05	4	
35	77755050J	SCREW H 14 2.00 45 45	8	
36	13601130M	BLACK PLATE	1	
37	77753030N	SCREW H 10 1.50 30 30	18	
38	15011710B	DISTRIBUTION DOOR	1	
39	77706600W	CYLINDRIC DOWEL PIN 10X32	2	
40	13501810F	COVER PLATE	1	
41	12403340R	GASKET	1	
42	77751010S	SCREW H 6 1.00 15 15	4	
43	77754270L	SCREW HC BP 12 1.75 12 12	3	

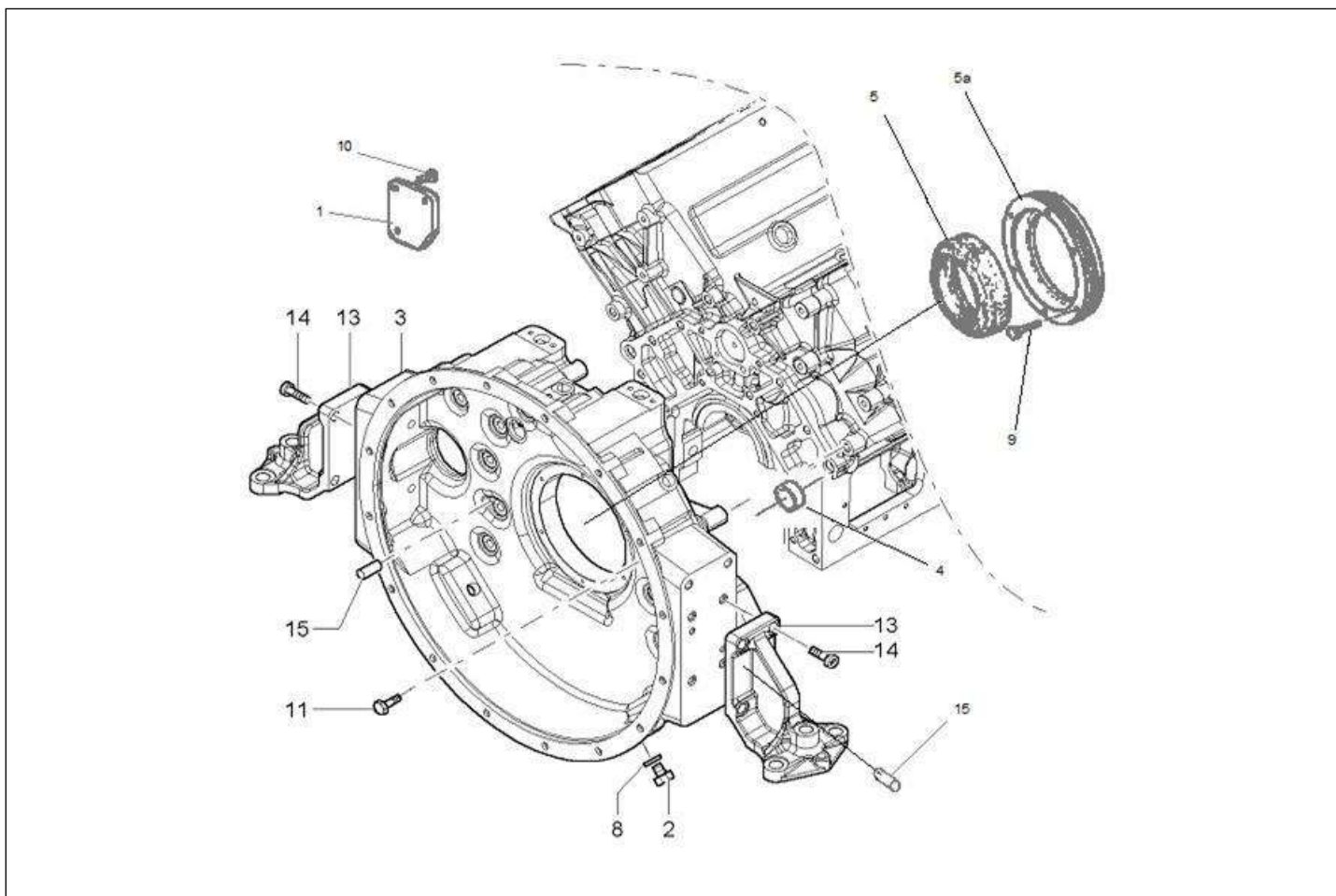
01 - Cylinder block

BLOCK (3 RINGS)

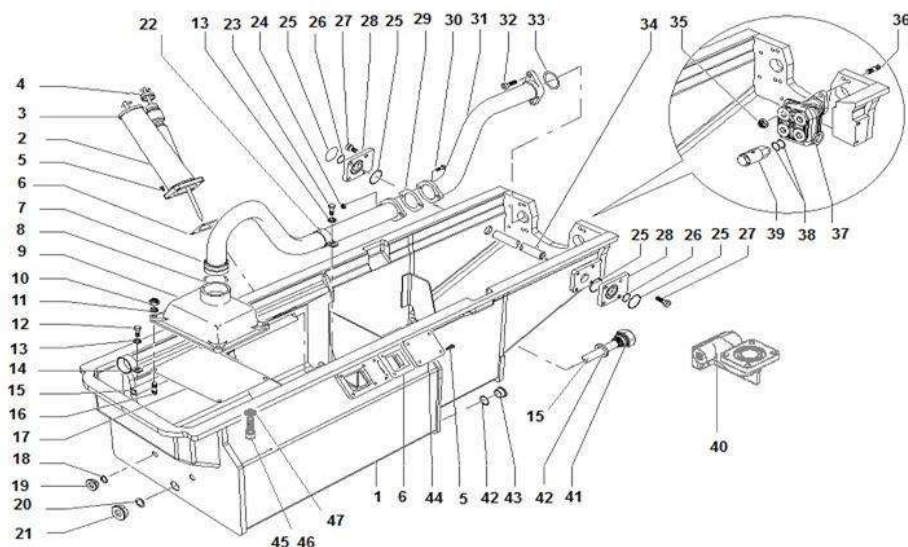


Rep	Reference	Description	Qty	Remarks
1	15510793H	CYLINDER BLOCK 12M26	1	Kit containing:
2	13607900W	WASHER 19 32 10	14	Is in N°15510793H
3	13607910G	SPEC SCREW 18 2,00 108 26	14	Is in N°15510793H
4	15011770R	SPEC SCREW 24 2.00 228 45 BE	14	Is in N°15510793H
5	11217280W	PIN	1	Is in N°15510793H
6	13579960B	MAIN BEARING STANDARD SIZE 117,88	7	Is in N°15510793H
7	15040380P	CONICAL PLUG 24X200 STEEL	4	Is in N°15510793H
8	13502940J	PLUG 10X100	2	Is in N°15510793H
9	77707510K	COPPER RING 10.2 14 1	2	Is in N°15510793H
10	77733040K	BORED PLUG	2	Is in N°15510793H
11	77707580L	COPPER RING 18,2 23,9 1,5	2	Is in N°15510793H
12	14400072C	CYLINDRIC DOWEL PIN 8X16	32	Is in N°15510793H
13	12410430Y	CLIP TUBE	1	Is in N°15510793H
14	77771030D	STUD 8(12. 02.16)	1	Is in N°15510793H
15	77790200Q	NUT H 8	1	Is in N°15510793H
16	15010681H	DRAIN PIPE	1	Is in N°15510793H
17	15011430X	DRAIN PIPE	1	Is in N°15510793H
18	15519591W	LINER - CYLINDER M26	12	Is in N°15510793H / Kit containing:
19	13015090M	CYLINDER LINER SEALS KIT DPDN	1	Is in N°15510793H & in N°15519591W
20	15021090X	PISTON COOLING JET ASSEMBLY M26	12	Is in N°15510793H
24	15012230R	FIRING ORDER PLATE 12M26	1	Is in N°15510793H

25	77724080W	RIVET 2.5 5 SIM N 2	4	Is in N°15510793H
26	11128190J	PLUG 32X150 BRASS	2	
27	11140200N	COPPER RING 32.3 39,9 2	2	
28	77752040M	SCREW H8 1.25 25 25	8	
29	77752020Q	SCREW H8 1.25 20 20	72	
30	77707760G	COPPER RING 8,2 16 1,5	72	
-	13015290E	INSPECTION DOOR GASKET KIT 6 C	1	Kit containing:
31	13501131S	INSPECTION DOOR GASKET M26 BA	10	Is in N°13015290E
32	13501200S	INSPECTION DOOR	10	
33	15012012E	FRONT ENGINE SUPPORT M26V	2	
34	77706050Y	SLINED PIN 10X36 LGC-G05	4	
35	77755050J	SCREW H 14 2.00 45 45	8	
36	13601130M	BLACK PLATE	1	
37	77753030N	SCREW H 10 1.50 30 30	18	
38	15011710B	DISTRIBUTION DOOR	1	
39	77706600W	CYLINDRIC DOWEL PIN 10X32	2	
40	13501810F	COVER PLATE	1	
41	12403340R	GASKET	1	
42	77751010S	SCREW H 6 1.00 15 15	4	
43	77754270L	SCREW HC BP 12 1.75 12 12	3	

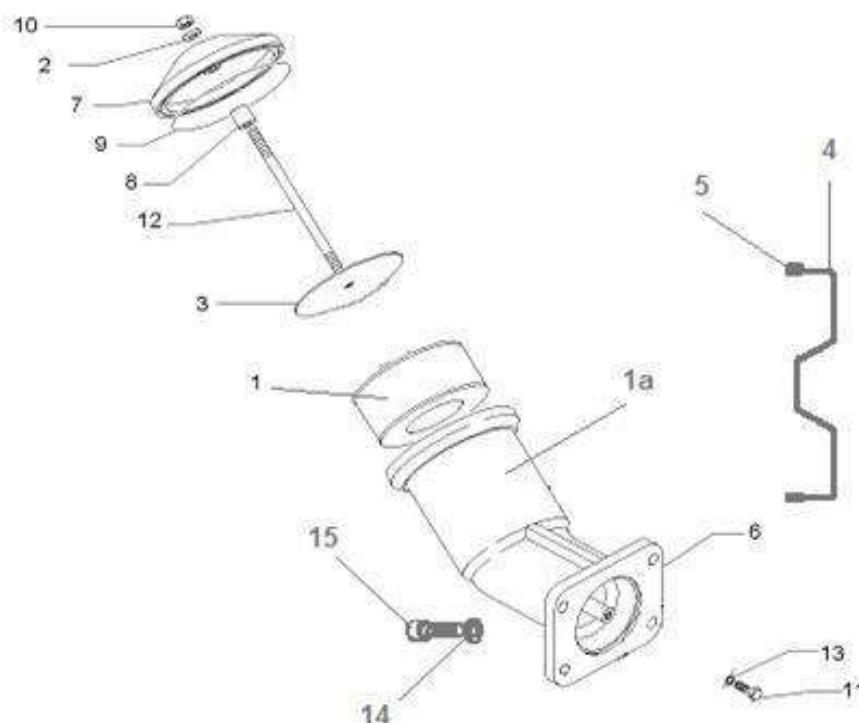


Rep	Reference	Description	Qty	Remarks
1	13601570Q	PLUG	1	
2	14011250V	PLUG 24X150 STEEL	1	
3	15010840F	FLYWHEEL HOUSING SAE 0	1	Kit containing:
4	77701580P	PLUG 36 STAINLESS	6	Is in N°15010840F
5a	15510450K	SEAL RING ASS.	1	Kit containing:
5	13505601B	SEAL RING 158 180 16 VITON	1	Is in N°15510450K
8	77707630Q	GASKET	1	
9	77752020Q	SCREW H8 1.25 20 20	6	
10	77753020C	SCREW H 10 1.50 25 25	3	
11	77755090C	SCREW H 14 2.00 80 34	14	
13	15012001S	REAR ENGINE SUPPORT M26V	2	
14	77756190Y	SCREW CHC 16 2.00 45 45	8	
15	77706050Y	SLINED PIN 10X36 LGC-G05	4	

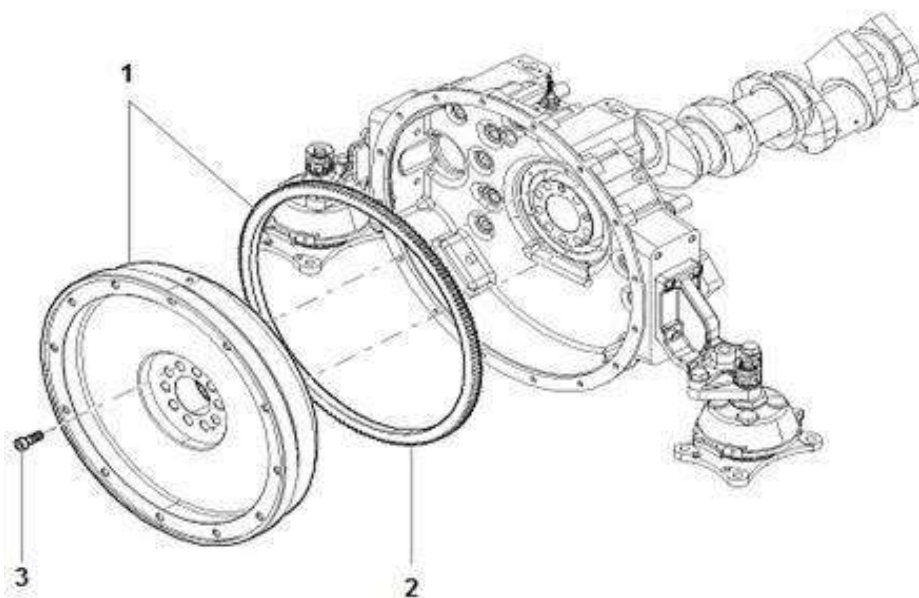


Rep	Reference	Description	Qty	Remarks
1	15510822P	OIL SUMP 12M26	1	Kit containing:
2	14710080S	FILLING MANIFOLD +GAUGE	1	Is in N°15510822P / Kit containing:
3	15010020P	FILLER PLUG	1	Is in N°15510822P & in N°14710080S
4	15042380N	OIL DIPSTICK 8-12M26.2	1	Is in N°15510822P
5	77752380G	SCREW CHC 8 1.25 20 20	4	Is in N°15510822P
6	14210300D	GASKET	1	Is in N°15510822P
7	15012270K	OIL INLET TUBE / REAR 12M26	1	Is in N°15510822P
8	16007007W	O RING 53,5 5,33 NITR	1	Is in N°15510822P
9	15012060G	BODY - STRAINER	1	Is in N°15510822P
10	77723060M	NUT NYLSTOP	4	Is in N°15510822P
11	77795420P	WASHER Z 8 U 8,2 16 1,5	4	Is in N°15510822P
12	77753000F	SCREW H 10 1.50 16 16	2	Is in N°15510822P
13	77795580N	WASHER Z 10 U 10,2 20 2 CB	1	Is in N°15510822P
14	13615140Q	COLLAR RSGU 1 18 25	2	Is in N°15510822P
15	15012100A	DRAINING TUBE	1	Is in N°15510822P / Kit containing:
41	15019050E	RING 22 LG10	1	Is in N°15510822P & in N°15012100A
16	77771230W	STUD 8(20. 13.12)	4	Is in N°15510822P
17	15012050W	STRAINER	1	Is in N°15510822P
18	77707580L	COPPER RING 18,2 23,9 1,5	4	Is in N°15510822P
19	14400078J	PLUG 18X150 STEEL	4	Is in N°15510822P
20	14400073D	COPPER RING 30.3 37,9 2	1	Is in N°15510822P

21	14400070A	PLUG 30X200	1	Is in N°15510822P
22	15040010M	COLLAR	1	Is in N°15510822P
23	77753010R	SCREW H 10 1.50 20 20	1	Is in N°15510822P
24	14400122G	NYLSTOP NUT M10 P 10	2	Is in N°15510822P
25	77713290S	O RING 40,6 5,33 NITR	4	Is in N°15510822P
26	77713200V	O RING 26,2 3,6 NITR	2	Is in N°15510822P
27	77752470E	SCREW CHC 8 1.25 40 28 12.9	8	Is in N°15510822P
28	15041460N	SQUARE FLANGE 28 78	2	Is in N°15510822P
29	13516260M	OVAL GASKET 50x70x78 ELASTOMER	1	Is in N°15510822P
30	77753050K	SCREW H 10 1.50 40 26	2	Is in N°15510822P
31	15012260Z	OIL INLET TUBE / FRONT 12M27	1	Is in N°15510822P
32	77754400C	SCREW CHC 12 1.75 30 30 12.9	2	Is in N°15510822P
33	27654140Y	O RING 48 3 NITR	2	Is in N°15510822P
34	13614230B	OUTLET TUBE	1	Is in N°15510822P
35	77790400H	NUT H	2	Is in N°15510822P
36	77773030C	STUD	2	Is in N°15510822P
37	15042000A	PUMP OUTLET	1	Is in N°15510822P
38	77707590X	COPPER RING 20.2 25,9 1,5	4	Is in N°15510822P
39	15540560N	SAFETY VALVE	4	Is in N°15510822P
40	15041480K	OIL COOLER FEEDING ELBOW M26	2	Is in N°15510822P
41	15019050E	RING 22 LG10	1	Is in N°15510822P
42	77707780D	COPPER RING 26.3 31,9 2	2	Is in N°15510822P
43	77733030Z	PLUG 26X150	1	Is in N°15510822P
44	14210270W	BLANKING FLANGE	1	Is in N°15510822P
45	77753190M	SCREW CHC 10 1.50 35 35 12.9	2	Is in N°15510822P
46	77753300G	SCREW CHC 10 1.50 30 30 12	26	Is in N°15510822P
47	77795580N	WASHER Z 10 U 10,2 20 2 CB	28	Is in N°15510822P
-	15519730X	GASKET KIT	1	



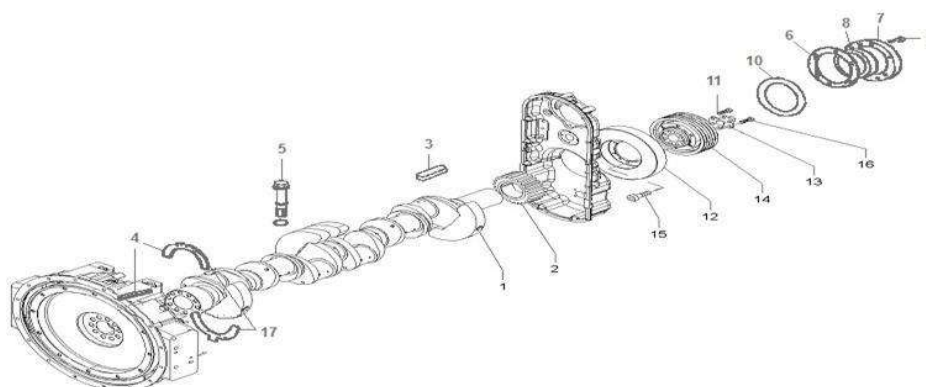
Rep	Reference	Description	Qty	Remarks
1a	15510811C	BREATHER	1	Kit containing:
1	13502531P	CARTRIDGE PERMATIC AIR H95	1	Is in N°15510811C
2	14400103L	LIPPED RING 8	1	Is in N°15510811C
3	15010730L	BREATHER PLATE	1	Is in N°15510811C
4	15010740X	OIL THROWER	1	Is in N°15510811C
5	15010985N	PROFILE SILICONE R131 U 3X7	1	Is in N°15510811C
6	15012081E	Breather body	1	Is in N°15510811C
7	15012090P	BREATHER CAP 8/12M26	1	Is in N°15510811C
8	15012120X	SPACER 8,5 20 28	1	Is in N°15510811C
9	77711060T	O RING 123 3 NITR	1	Is in N°15510811C
10	77723060M	NUT NYLSTOP	1	Is in N°15510811C
11	77752020Q	SCREW H8 1.25 20 20	1	Is in N°15510811C
12	77771351C	STUD 8(17.196.17) AC 10.9	1	Is in N°15510811C
13	77795420P	WASHER Z 8 U 8,2 16 1,5	1	Is in N°15510811C
14	77707760G	COPPER RING 8,2 16 1,5	4	
15	77752040M	SCREW H8 1.25 25 25	4	




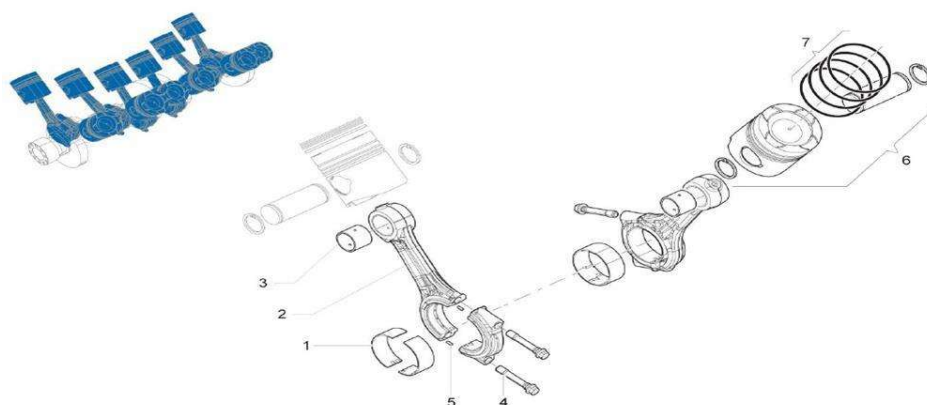
Rep	Reference	Description	Qty	Remarks
1	15520160P	FLYWHEEL 18"	1	Kit containing:
2	13625010T	RING GEAR	1	Is in N°15520160P
3	13508080W	SPEC SCREW 22 2,00 77 30 FL	10	

02 - Moving parts

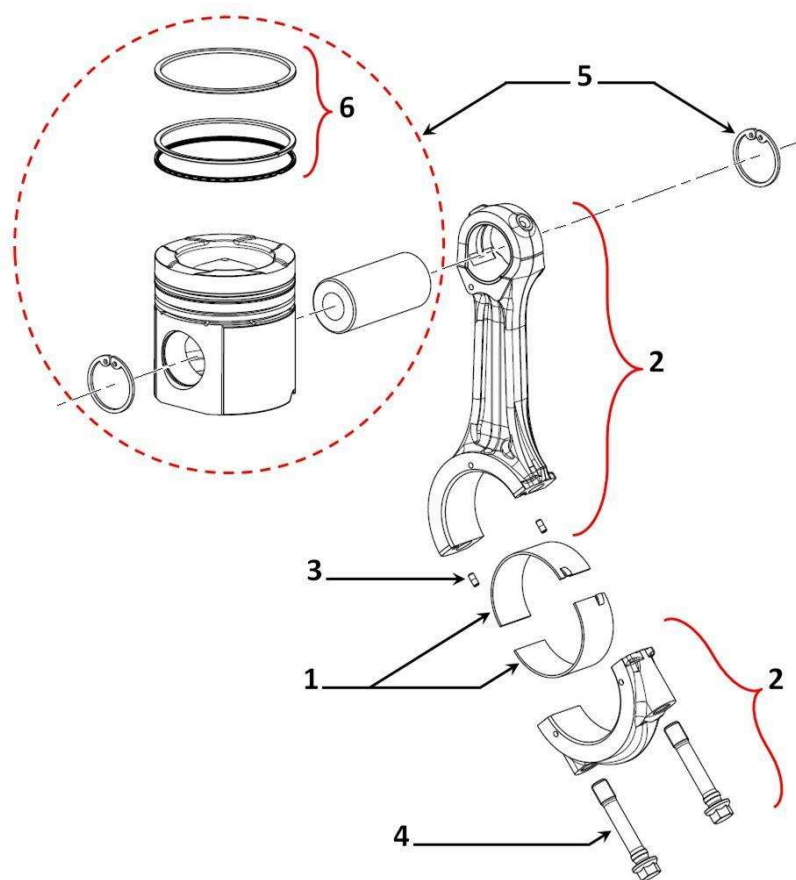
CRANKSHAFT - FRONT PULLEY



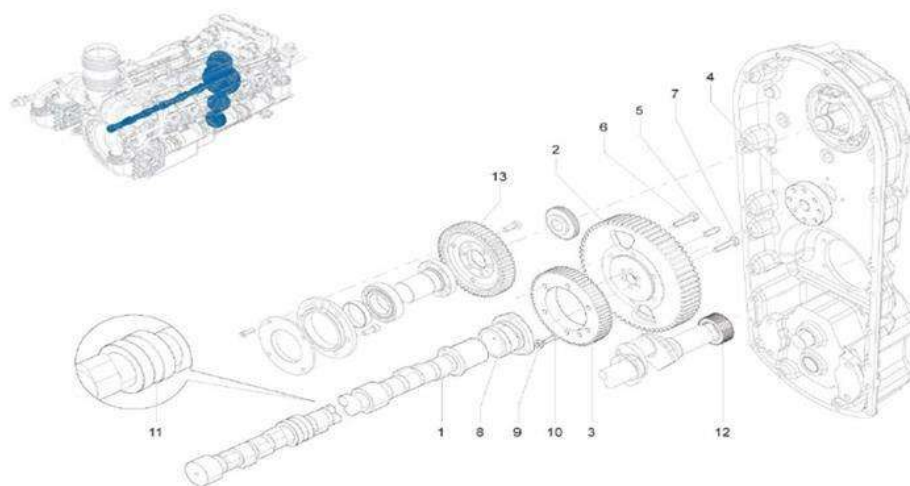
Rep	Reference	Description	Qty	Remarks
1	13560090D	CRANKSHAFT 12P15 118 CN	1	 Kit containing:
2	13504290B	TIMING GEAR	1	Is in N°13560090D
3	77703640D	KEY 12 8 50	1	Is in N°13560090D
4	77706060J	SLINED PIN 8X30 LGC-G05	1	Is in N°13560090D
5	15529130P	BACK BALANCE SCREW KIT	4	Is in N°13560090D
6	13501270T	GASKET	1	
7	13583600H	FRONT SEAL RING ASSEMBLY	1	Kit containing:
8	15010240D	RING 100.120 15	1	Is in N°13583600H
9	77752050Y	SCREW H8 1.25 30 22	6	
10	15020910B	FLANGE	1	
11	77754010D	SCREW H 12 1.75 25 25	6	
12	13608090C	VIBRATION DAMPER	1	
13	15120580N	VIREUR M26	1	
14	15020850L	PULLEY ON CRANKSHAFT M26	1	
15	77754400C	SCREW CHC 12 1.75 30 30 12.9	6	
16	77755080R	SCREW H 14 2.00 75 34	6	
17	13607820J	THRUST FLANGE	2	
17	13561200K	Thrust washer oversize pairs	2	
-	13025040C	CRANKSHAFT FRONT SEAL KIT	1	



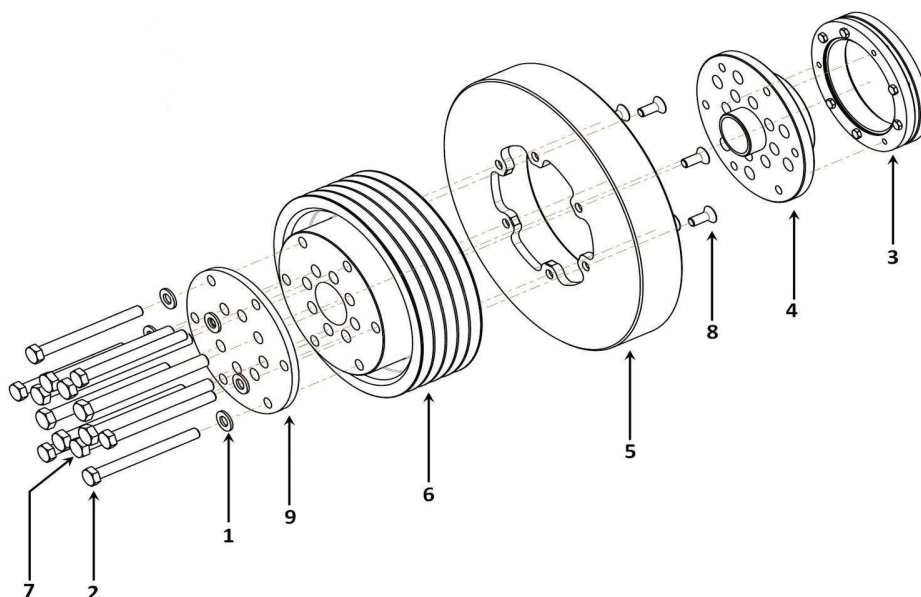
Rep	Reference	Description	Qty	Remarks
1	15529010J	BIG END BEARING STANDARD SIZE	1	
1	15529040R	BIG END BEARING FIRST REPAIR SIZE	1	
1	15529050C	BIG END BEARING SECOND REPAIR	1	
2	15520081D	CONROD 12M26/	1	Kit containing:
3	13535080T	RING	1	Is in N°15520081D
4	15529120D	CONROD SCREW KIT	1	Is in N°15520081D
5	77707300G	DOWEL PIN	2	Is in N°15520081D
6	15529140A	PISTON ASS.	1	Kit containing:
7	13025060Z	PISTON RING SET	1	Is in N°15529140A



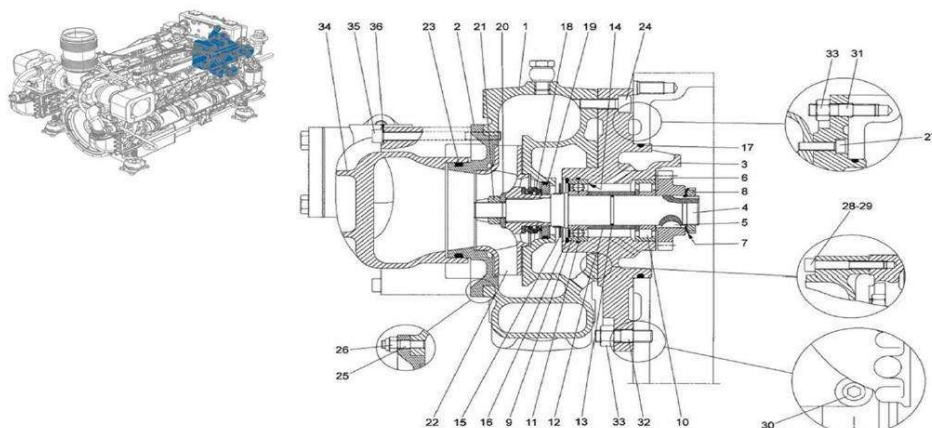
Rep	Reference	Description	Qty	Remarks
1	15529010J	BIG END BEARING STANDARD SIZE	1	
1	15529040R	BIG END BEARING FIRST REPAIR SIZE	1	
1	15529050C	BIG END BEARING SECOND REPAIR	1	
2	15520460Q	CONROD 8/12M26.2/3	1	Kit containing:
3	77707300G	DOWEL PIN	2	Is in N°15520460Q
4	15529120D	CONROD SCREW KIT	1	Is in N°15520460Q
5	15529150L	PISTON ASSEMBLY	1	Kit containing:
6	15529160X	RING SET	1	Is in N°15529150L



Rep	Reference	Description	Qty	Remarks
1	15020991P	CAMSHAFT	1	
2	13504211Q	CAMSHAFT GEAR	1	
3	13605990V	INTERMEDIATE PINION	1	
4	15020400X	THRUST WASHER 43 65 20	1	
5	77707150T	SPIRAL DOWEL PIN 6X14	1	
6	77753060W	SCREW H 10 1.50 45 26	6	
7	77753070G	SCREW H 10 1.50 50 26	6	
8	13501100J	CAMSHAFT FRONT BEARING	1	
9	77721010J	WASHER	3	
10	77752670X	SCREW	3	
11	13501210D	CAMSHAFT BUSHING	6	
12	13504290B	TIMING GEAR	1	
13	15050750L	INJ PUMP PINION	1	

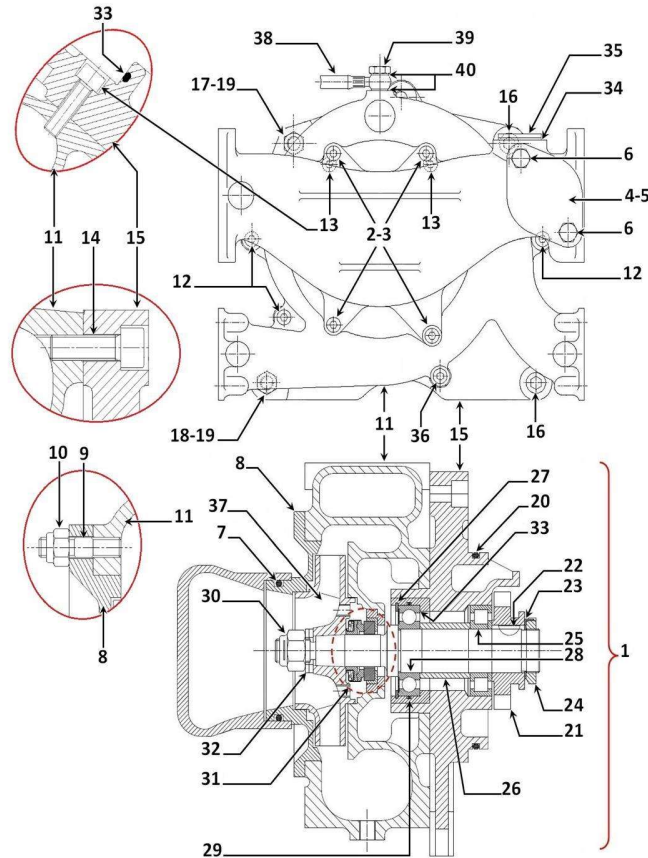


Rep	Reference	Description	Qty	Remarks
-	C3367.100	POULIE AVANT POUR PTO 1700 Nm	1	Kit containing:
1	14250160E	THRUST WASHER 12,2 24 4	6	Is in N°C3367.100
2	77754170C	SCREW H 12 1.75 130 36	6	Is in N°C3367.100
3	C3316.001	##	1	Is in N°C3367.100
4	C3316.008	##	1	Is in N°C3367.100
5	C3316.009	##	1	Is in N°C3367.100
6	C3316.010	##	1	Is in N°C3367.100
7	C3316.013	SCREW H 14 2.00 150 40	8	Is in N°C3367.100
8	C3316.014	SCREW	6	Is in N°C3367.100
9	C3367.101	RONDELLE ENTRETOISE COT POULIE	1	Is in N°C3367.100



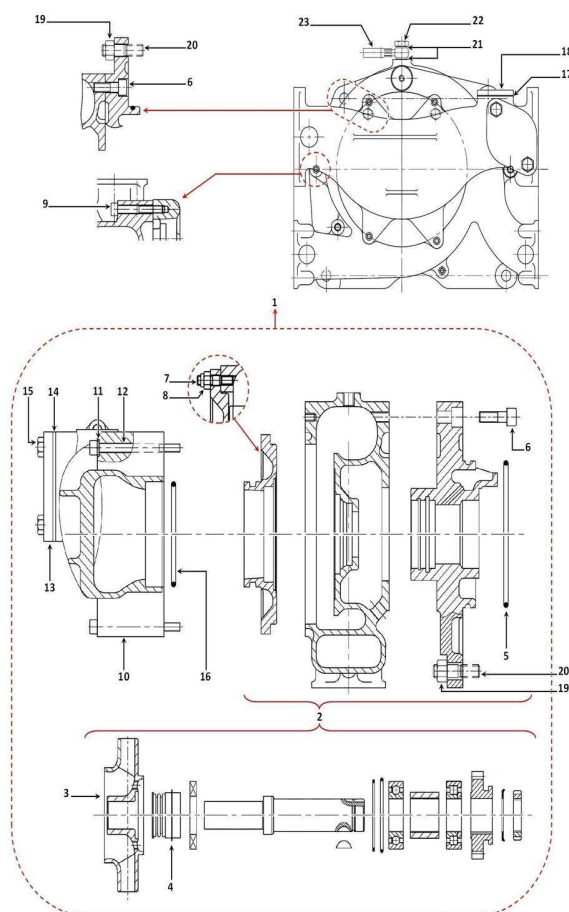
Rep	Reference	Description	Qty	Remarks
1	1553165D	FW PUMP	1	Kit containing:
1	15033801Z	FW PUMP BODY	1	Is in N°1553165D
2	15033791C	PUMP SUCTION COVER	1	Is in N°1553165D
3	15539330B	BALL BEARING CASE	1	Is in N°1553165D / Kit containing:
4	15035190Y	WATER PUMP SHAFT	1	Is in N°1553165D & in N°15539330B
5	77722500D	WOODRUFF KEY	1	Is in N°1553165D & in N°15539330B
6	15035111M	FW PUMP PINION	1	Is in N°1553165D & in N°15539330B
7	77890150G	LOCK WASHER	1	Is in N°1553165D & in N°15539330B
8	77880150M	NUT	1	Is in N°1553165D & in N°15539330B
9	77810630X	BEARING	1	Is in N°1553165D & in N°15539330B
10	77820470S	BEARING	1	Is in N°1553165D & in N°15539330B
11	77711820V	O RING	1	Is in N°1553165D & in N°15539330B
12	15035200J	BEARING SPACER	1	Is in N°1553165D & in N°15539330B
13	77711380R	O RING	1	Is in N°1553165D & in N°15539330B
14	13610860N	ADJUSTING SHIM 61.5 53 0.15	1	Is in N°1553165D & in N°15539330B
14	13610560M	ADJUSTING SHIM 61.5 53 0.10	1	Is in N°1553165D & in N°15539330B
15	14231230D	FW PP DEFLECTOR	1	Is in N°1553165D & in N°15539330B
16	77703110C	CIRCLIP	1	Is in N°1553165D & in N°15539330B
17	14010150Z	RESTRICTOR RING 119X4	1	Is in N°1553165D & in N°15539330B
18	77700710T	SEAL RING 32 54 15 CYCLAM	1	Is in N°1553165D
19	77700722G	INTERBAGUE 32 57 7 MAT:67.0	1	Is in N°1553165D

20	15035220F	WASHER 16.5 35 4	1	Is in N°15531650D
21	77723160W	NUT	1	Is in N°15531650D
22	15035210V	FW PUMP IMPELLER	1	Is in N°15531650D
23	77713420J	O RING	1	Is in N°15531650D
24	77753300G	SCREW CHC 10 1.50 30 30 12	1	Is in N°15531650D
25	77771040P	STUD	2	Is in N°15531650D
26	77723060M	NUT NYLSTOP	2	Is in N°15531650D
27	77752250Q	SCREW CHC 8 1.25 30 30 12.9	2	Is in N°15531650D
28	77752450H	SCREW CHC 8 1.25 55 28	3	Is in N°15531650D
29	77752580Z	SCREW CHC	1	Is in N°15531650D
30	77754230Z	SCREW	2	
31	77773080G	STUD	1	
32	77773030C	STUD	1	
33	77790400H	NUT H	2	
34	15033900W	FW PUMP SUCTION TUBE M26	1	
35	14400331S	SCREW	4	
36	14400103L	LIPPED RING 8	4	
-	15539320Q	SEALING KIT	1	
-	15539370V	REPAIR KIT	1	
-	15539430K	FW PUMP GASKET KIT 8/12M26	1	

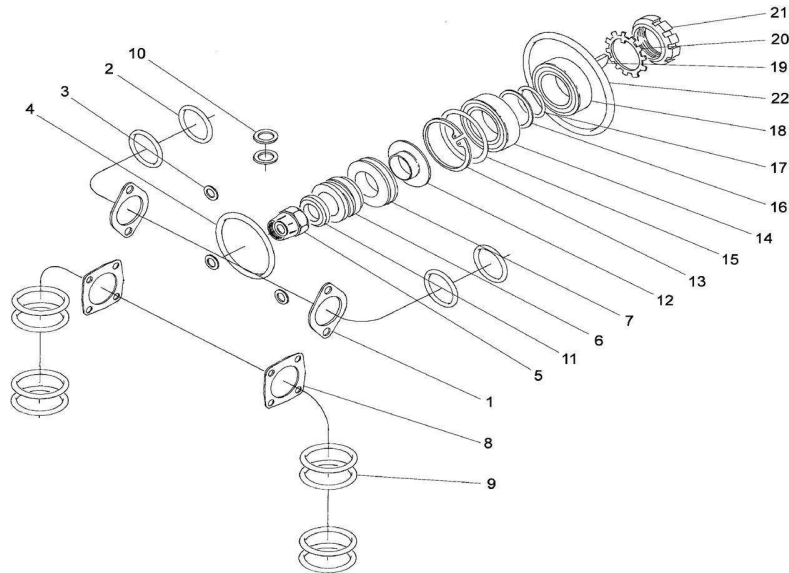


Rep	Reference	Description	Qty	Remarks
1	X6209.660	PPE ED 8-12M26.2 PROTO LFH	1	Kit containing:
2	77752610G	SCREW CHC 8 1.25 95 28	4	Is in N°X6209.660
3	14400103L	LIPPED RING 8	4	Is in N°X6209.660
4	13516260M	OVAL GASKET 50x70x78 ELASTOMER	1	Is in N°X6209.660
5	13616660S	OVAL FLANGE E 78 FULL STEEL	1	Is in N°X6209.660
6	77753030N	SCREW H 10 1.50 30 30	2	Is in N°X6209.660
7	77713420J	O RING	1	Is in N°X6209.660
8	15033791C	PUMP SUCTION COVER	1	Is in N°X6209.660
9	77771040P	STUD	2	Is in N°X6209.660
10	77723060M	NUT NYLSTOP	2	Is in N°X6209.660
11	15033801Z	FW PUMP BODY	1	Is in N°X6209.660
12	77752450H	SCREW CHC 8 1.25 55 28	3	Is in N°X6209.660
13	77752250Q	SCREW CHC 8 1.25 30 30 12.9	2	Is in N°X6209.660
14	77753300G	SCREW CHC 10 1.50 30 30 12	1	Is in N°X6209.660
15	15035180M	PALIER SUPPORT DE POMPE A EAU	1	Is in N°X6209.660
16	77754230S	SCREW CHC 12 1.75 45 45	2	Is in N°X6209.660
17	77773080G	STUD	1	Is in N°X6209.660
18	77773030C	STUD	1	Is in N°X6209.660
19	77790400H	NUT H	2	Is in N°X6209.660
20	14010150Z	RESTRICTOR RING 119X4	1	Is in N°X6209.660
21	15035111M	FW PUMP PINION	1	Is in N°X6209.660

22	77722500D	WOODRUFF KEY	1	Is in N°X6209.660
23	77890150G	LOCK WASHER	1	Is in N°X6209.660
24	77880150M	NUT	1	Is in N°X6209.660
25	77820470S	BEARING	1	Is in N°X6209.660
26	15035200J	BEARING SPACER	1	Is in N°X6209.660
27	77703110C	CIRCLIP	1	Is in N°X6209.660
28	15039590F	BALL BEARING	1	Is in N°X6209.660
29	77711820V	O RING	1	Is in N°X6209.660
30	15039550M	NUT	1	Is in N°X6209.660
31	15039560Y	ENSEMBLE ETANCHEITE PPE LFH	1	Is in N°X6209.660
32	15039570J	WASHER	1	Is in N°X6209.660
33	13610560M	ADJUSTING SHIM 61.5 53 0.10	2	Is in N°X6209.660
33	13610860N	ADJUSTING SHIM 61.5 53 0.15	2	Is in N°X6209.660
34	11140200N	COPPER RING 32.3 39,9 2	1	Is in N°X6209.660
35	11128190J	PLUG 32X150 BRASS	1	Is in N°X6209.660
36	77752580Z	SCREW CHC	1	Is in N°X6209.660
37	15039770B	IMPELLER	1	Is in N°X6209.660
38	15101331Q	FLEXIBLE	1	
39	15531160W	HOLLOW SCREW 12X150 DIAPH 2.2	1	
40	77707520W	COPPER RING 12,2 15,9 1,5	2	
-	15539450G	FW PUMP REPAIR KIT	1	
-	15539440W	FW PUMP SEALING KIT LFH	1	
-	15539430K	FW PUMP GASKET KIT 8/12M26	1	

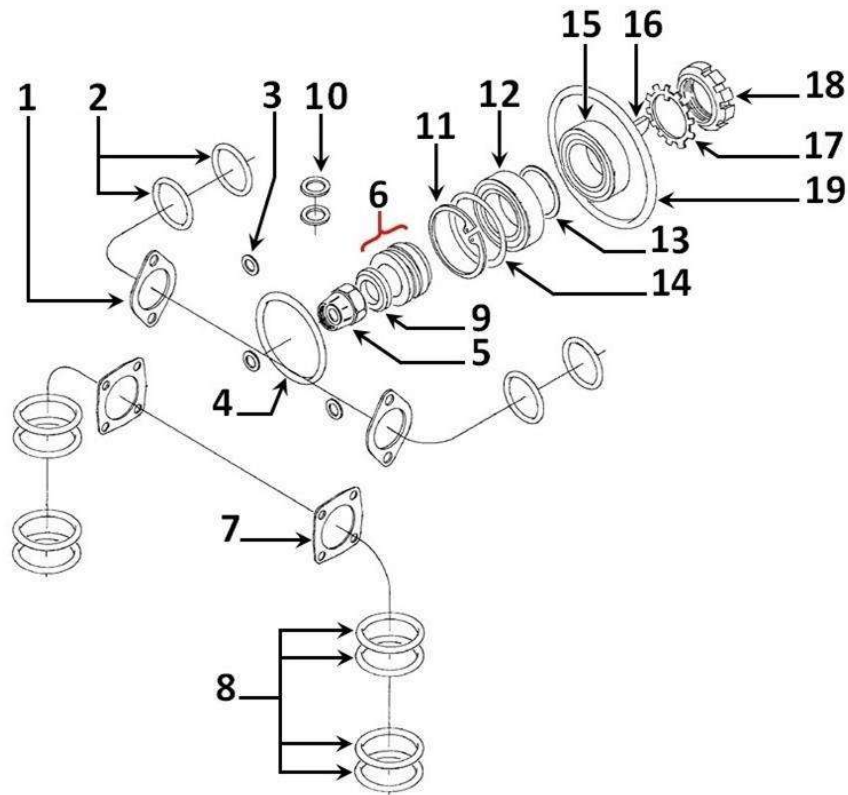


Rep	Reference	Description	Qty	Remarks
5	14010150Z	RESTRICTOR RING 119X4	1	Is in N°330250000099 & in N°330250000098
6	77753300G	SCREW CHC 10 1.50 30 30 12	1	Is in N°330250000099 & in N°330250000098
7	77771040P	STUD	2	Is in N°330250000099 & in N°330250000098
8	77723060M	NUT NYLSTOP	2	Is in N°330250000099 & in N°330250000098
9	77752450H	SCREW CHC 8 1.25 55 28	2	Is in N°330250000099 & in N°330250000098
11	14400103L	LIPPED RING 8	4	Is in N°330250000099
12	77752610G	SCREW CHC 8 1.25 95 28	4	Is in N°330250000099
13	13616660S	OVAL FLANGE E 78 FULL STEEL	1	Is in N°330250000099
14	13516260M	OVAL GASKET 50x70x78 ELASTOMER	1	Is in N°330250000099
15	77753030N	SCREW H 10 1.50 30 30	2	Is in N°330250000099
16	16203850F	O-RING 90017550015	1	Is in N°330250000099
17	11140200N	COPPER RING 32.3 39,9 2	1	Is in N°330250000099
18	11128190J	PLUG 32X150 BRASS	1	Is in N°330250000099
19	77790400H	NUT H	2	
20	77773030C	STUD	2	
21	77707520W	COPPER RING 12,2 15,9 1,5	2	
22	15531160W	HOLLOW SCREW 12X150 DIAPH 2.2	1	
23	15101331Q	FLEXIBLE	1	



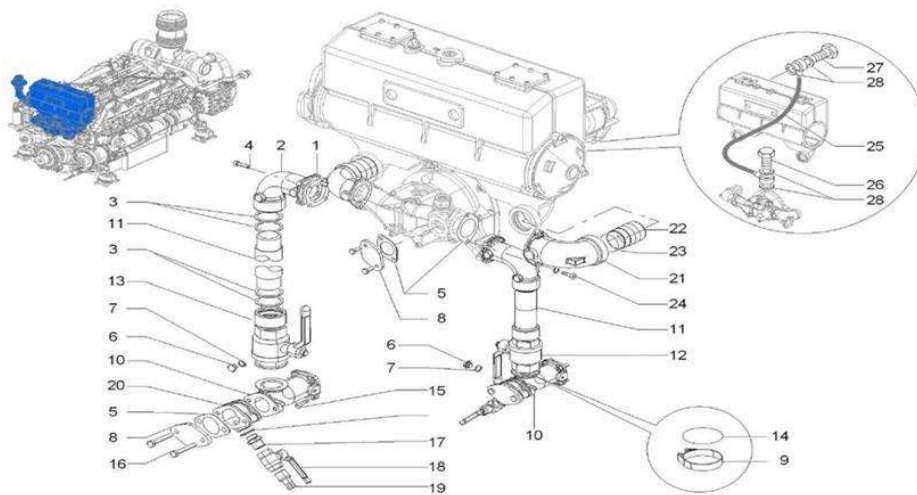
Rep	Reference	Description	Qty	Remarks
-	15539430K	FW PUMP GASKET KIT 8/12M26	1	
-	15539370V	REPAIR KIT	1	Kit containing:
-	15539320Q	SEALING KIT	1	Is in N°15539370V / Kit containing:
1	15032870B	OVAL GASKET E 94 V10 D 62 H1.5	2	Is in N°15539370V & in N°15539320Q
2	77711370F	O RING 68 x 4	4	Is in N°15539370V & in N°15539320Q
3	14400103L	LIPPED RING 8	4	Is in N°15539370V & in N°15539320Q
4	77713420J	O RING	1	Is in N°15539370V & in N°15539320Q
5	77723160W	NUT	1	Is in N°15539370V & in N°15539320Q
6	77700710T	SEAL RING 32 54 15 CYCLAM	1	Is in N°15539370V & in N°15539320Q
7	77700722G	INTERBAGUE 32 57 7 MAT:67.0	1	Is in N°15539370V & in N°15539320Q
8	14230330A	ELBOW GASKET ELASTOMER	2	Is in N°15539370V
9	77713930N	O RING 53,5 5,33 VITO	8	Is in N°15539370V
10	77707520W	COPPER RING 12,2 15,9 1,5	2	Is in N°15539370V
11	14231240P	THRUST WASHER 16,2 30 4	1	Is in N°15539370V
12	14231230D	FW PP DEFLECTOR	1	Is in N°15539370V
13	77703110C	CIRCLIP	1	Is in N°15539370V
14	77810630X	BEARING	1	Is in N°15539370V
15	77711820V	O RING	1	Is in N°15539370V
16	13610560M	ADJUSTING SHIM 61.5 53 0.10	2	Is in N°15539370V
16	13610860N	ADJUSTING SHIM 61.5 53 0.15	2	Is in N°15539370V
17	77711380R	O RING	1	Is in N°15539370V

18	77820470S	BEARING	1	Is in N°15539370V
19	77722500D	WOODRUFF KEY	1	Is in N°15539370V
20	77890150G	LOCK WASHER	1	Is in N°15539370V
21	77880150M	NUT	1	Is in N°15539370V
22	14010150Z	RESTRICTOR RING 119X4	1	Is in N°15539370V



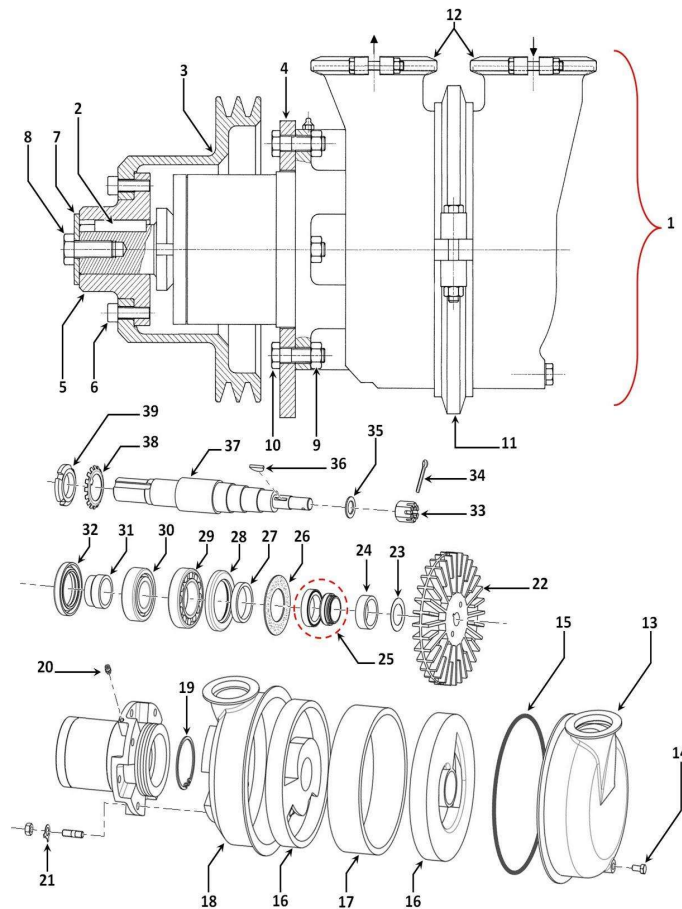
Rep	Reference	Description	Qty	Remarks
-	15539430K	FW PUMP GASKET KIT 8/12M26	1	
-	15539450G	FW PUMP REPAIR KIT	1	Kit containing:
-	15539440W	FW PUMP SEALING KIT LFH	1	Is in N°15539450G / Kit containing:
1	15032870B	OVAL GASKET E 94 V10 D 62 H1.5	2	Is in N°15539450G & in N°15539440W
2	77711370F	O RING 68 x 4	4	Is in N°15539450G & in N°15539440W
3	14400103L	LIPPED RING 8	4	Is in N°15539450G & in N°15539440W
4	77713420J	O RING	1	Is in N°15539450G & in N°15539440W
5	15039550M	NUT	1	Is in N°15539450G & in N°15539440W
6	15039560Y	ENSEMBLE ETANCHEITE PPE LFH	1	Is in N°15539450G & in N°15539440W
7	14230330A	ELBOW GASKET ELASTOMER	2	Is in N°15539450G & in N°15539440W
8	77713930N	O RING 53,5 5,33 VITO	8	Is in N°15539450G & in N°15539440W
9	15039570J	WASHER	1	Is in N°15539450G & in N°15539440W
10	77707520W	COPPER RING 12,2 15,9 1,5	2	Is in N°15539450G
11	77703110C	CIRCLIP	1	Is in N°15539450G
12	15039590F	BALL BEARING	1	Is in N°15539450G
13	13610560M	ADJUSTING SHIM 61.5 53 0.10	2	Is in N°15539450G
13	13610860N	ADJUSTING SHIM 61.5 53 0.15	2	Is in N°15539450G
14	77711820V	O RING	1	Is in N°15539450G
15	77820470S	BEARING	1	Is in N°15539450G
16	77722500D	WOODRUFF KEY	1	Is in N°15539450G
17	77890150G	LOCK WASHER	1	Is in N°15539450G


18	77880150M	NUT		1	Is in N°15539450G
19	14010150Z	RESTRICTOR RING	119X4	1	Is in N°15539450G



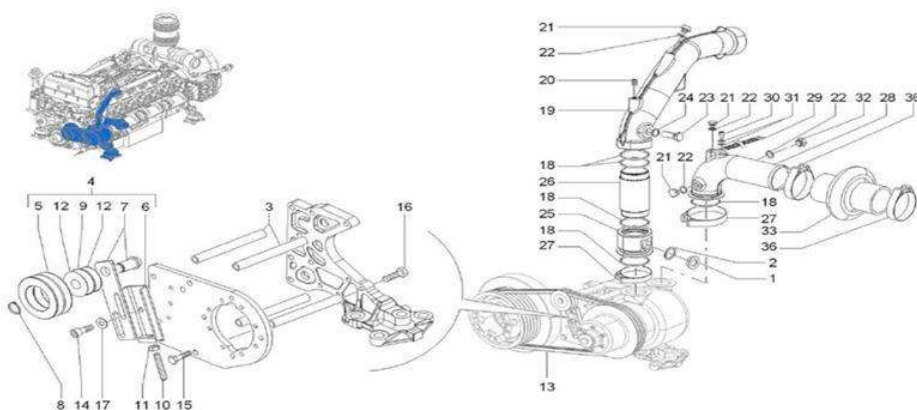
Rep	Reference	Description	Qty	Remarks
1	14230330A	ELBOW GASKET ELASTOMER	2	
2	15033821K	DELIVERY ELBOW	2	
3	77713930N	O RING 53,5 5,33 VITO	8	
4	77752250Q	SCREW CHC 8 1.25 30 30 12.9	8	
5	13516260M	OVAL GASKET 50x70x78 ELASTOMER	6	
6	13610700P	PLUG 8X1,00 7 BRASS	2	
7	77707760G	COPPER RING 8,2 16 1,5	2	
8	13616660S	OVAL FLANGE E 78 FULL STEEL	3	
9	14290050N	COLLAR V 54 TYPE 54	2	
10	15033880Z	TUBE	2	
11	15033961M	CONNECTING TUBE ELBOW/VALVE	2	
12	15531251V	VANNE BD PREP	1	
13	15531281C	VANNE TD PREP	1	
14	77711400N	O RING 55 3,55 VITO	2	
15	77752250Q	SCREW CHC 8 1.25 30 30 12.9	8	
16	77753620E	SCREW H 10 1.50 70 26	4	
17	13615120T	FITTING 3/4 GCY -25x150 T18 SMB	2	
18	15035750G	DRAIN TAP CM1 14 3/4"	2	
19	15035710N	GROOVED END KENT 3/4" D:19mm	2	
20	15034380S	SPACER	2	
21	15033810Y	CONNECTION ELBOW	2	

22	15032940C	CONNECTING PIPE	2
23	77711370F	O RING 68 x 4	4
24	77753300G	SCREW CHC 10 1.50 30 30 12	4
25	15101331Q	FLEXIBLE	1
26	15531160W	HOLLOW SCREW 12X150 DIAPH 2.2	1
27	77720210P	HOLLOW SCREW 12X150 DIN7623	1
28	77707520W	COPPER RING 12,2 15,9 1,5	4
-	15539300T	PJ CIRCULATION EAU FACE AV 12M	1



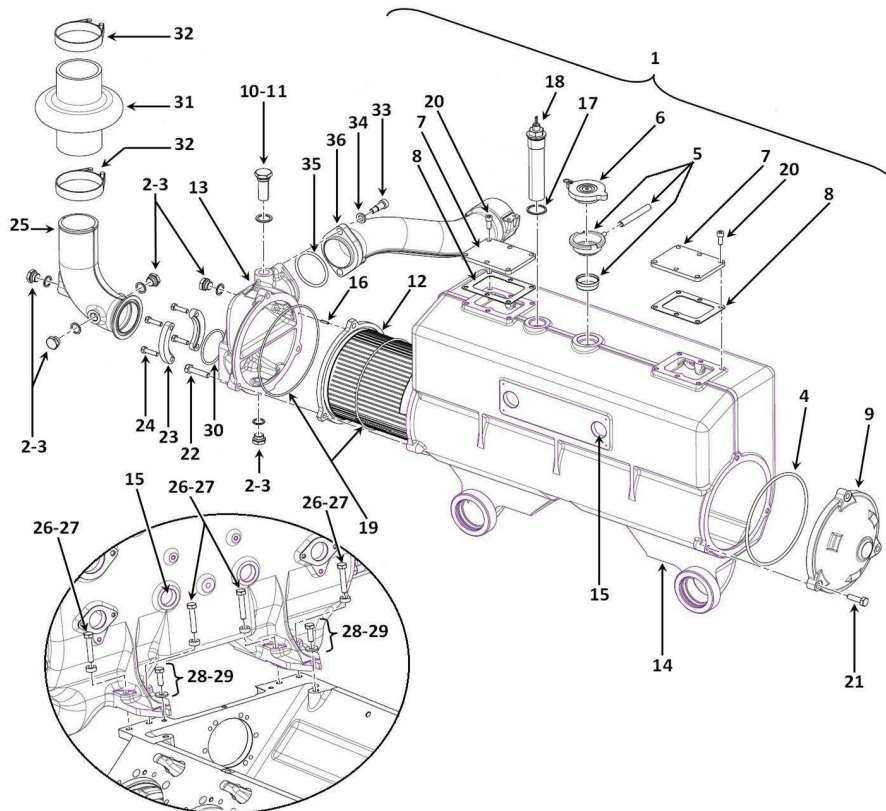
Rep	Reference	Description	Qty	Remarks
1	15531151L	RW PUMP GILKES ASS.	1	Kit containing:
-	15033090Q	PUMP GILKES M250/700	1	 Is in N°15531151L
2	14020340A	KEY 10 8 40	1	Is in N°15531151L
3	15033080E	RW PUMP PULLEY GILKES	1	Is in N°15531151L
4	15033101C	RW PUMP SUPPORT PLATE	1	Is in N°15531151L
5	15033390R	RW PUMP PULLEY HUB	1	Is in N°15531151L
6	77752240E	SCREW CHC 8 1.25 25 25 12.9	6	Is in N°15531151L
7	15033400C	WASHER	1	Is in N°15531151L
8	77754020P	SCREW H 12 1.75 30 30	1	Is in N°15531151L
9	77790300Z	NUT H 10	4	Is in N°15531151L
10	77753040Z	SCREW H 10 1.50 35 35	4	Is in N°15531151L
11	15039210S	CLAMPING COLLAR	1	
12	15039220D	COLLAR V	2	
13	15039750E	BODY - PUMP	1	
14	15039680D	PLUG	1	
15	15039350V	O-RING	1	
16	15039170Z	FLANGE	2	
17	15039720X	RING	1	
18	15039740K	BODY - PUMP	1	
19	15039630Z	CIRCLIP	1	
20	15039710L	GRAISSEUR PPEB GILKES	1	


21	15039120V	WASHER 12,6 21 1	4
22	15039180K	IMPELLER	1
23	15039190W	SHIM	-
23	15039200G	SHIM	-
24	15039730H	RING	1
25	15539310E	CONTACT RING GILKES	1
26	15039160N	WATER SLINGER	1
27	15039140R	COLLAR	1
28	15039150C	SEAL RING 60 91 10	1
29	15039340J	CYL. BEARING 50 90 20 N210E	1
30	15039330Y	BALL JOINT BEARING 40 80 23	1
31	15039650W	SEAL RING	1
32	15039660G	GASKET	1
33	15039690P	CASTLE NUT	1
34	15039700A	SPLIT PIN	1
35	15039620N	WASHER 20	1
36	15039670S	KEY	1
37	15039540B	PUMP SHAFT	1
38	15039130F	THRUST WASHER 40,5	1
39	15039640K	CASTLE NUT	1
-	15539490A	FW PUMP SEALING KIT GILKES	-
-	15539480P	REPAIR KIT	-
-	15539470D	KIT ROUET PPEB GILKES	-
-	15539460S	KIT REVISION PPEB GILKES	-



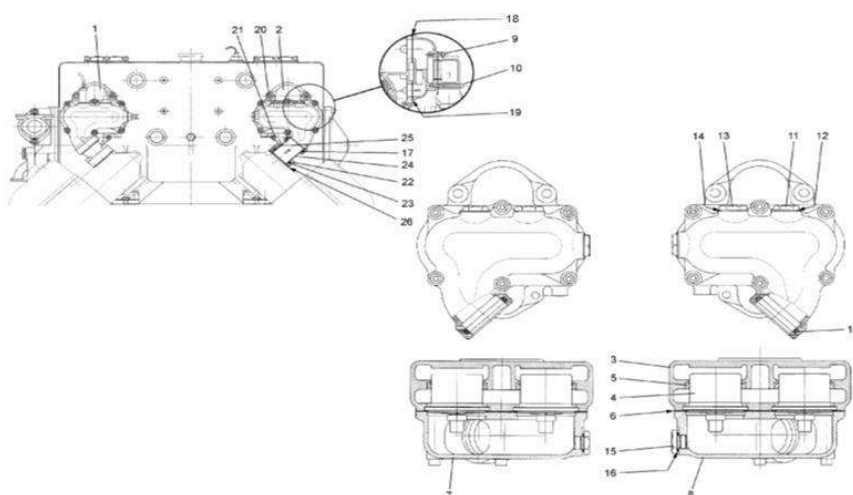
Rep	Reference	Description	Qty	Remarks
1	11128190J	PLUG 32X150 BRASS	1	
2	11140200N	COPPER RING 32.3 39,9 2	1	
3	15033111N	SPACER	4	
4	15531460X	BELT TENSIONER ASS. P12M26/	1	Kit containing:
5	14420001P	BELT TENSIONING IDLER PULLEY	1	Is in N°15531460X
6	14421075G	BELT TIGHTENER BODY	1	Is in N°15531460X
7	14421077J	BELT TIGHTENER AXLE PREP.	1	Is in N°15531460X
8	77702440Z	CIRCLIP EXT 20	1	Is in N°15531460X
9	77703080V	CIRCLIP INT 52	1	Is in N°15531460X
10	77753560P	SCREW HC BP 10 1.50 60 60	1	Is in N°15531460X
11	77790300Z	NUT H 10	1	Is in N°15531460X
12	77810600P	BALL BEARING 20 52 15 63042R	2	Is in N°15531460X
13	77705760H	BELT SPAX 1650	2	
14	77753300G	SCREW CHC 10 1.50 30 30 12	2	
15	77754020P	SCREW H 12 1.75 30 30	4	
16	77754430K	SCREW H 12 1.75 45 30	4	
17	77795530J	WASHER M 10 U 10,2 22 2	2	
18	77711370F	O RING 68 x 4	4	
19	15036212J	CONNECTING TUBE	1	
20	77733370T	PLUG 1/4 GAZ STHC BRASS	1	
21	11230560F	PLUG 18X150 BRASS	3	

21	77795690H	WASHER Z10 STAINLESS	2
22	77707580L	COPPER RING 18,2 23,9 1,5	4
23	15031230T	ZINC ANODE	1 
24	77707630Q	GASKET	1
25	15035131J	R.W PPE OUTLET FLANGE+EMERGENC	1
26	15036520T	CONNECTING PIPE	1
27	15039220D	COLLAR V	1
28	15036091C	INLET RAW WATER ELBOW	1
29	14400320X	GLAND PACKING	1
30	77753700R	SCREW CHC 10 1,5 16 16 STAINLESS	1
32	16081580D	ZING ANODE M18X150	1
33	15036120J	CONNECTION HOSE	2
34	77735080C	HOSE CLIP	4



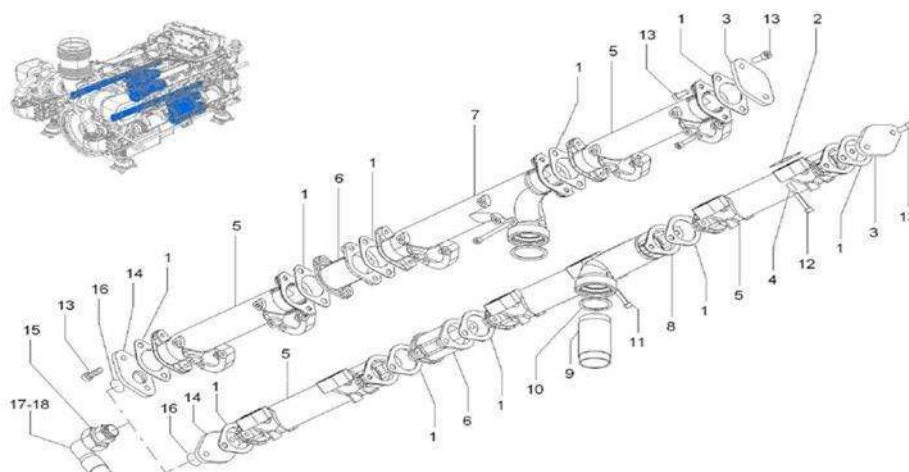
Rep	Reference	Description	Qty	Remarks
1	15531820N	ECHANGEUR ED/EB PREPAR 12M26.2	1	Kit containing:
2	11230560F	PLUG 18X150 BRASS	5	Is in N°15531820N
3	77707580L	COPPER RING 18,2 23,9 1,5	5	Is in N°15531820N
4	13616670D	O RING 189,3 5,7 NITR	1	Is in N°15531820N
5	77717075G	EMBASE PREPAREE AVEC RALLONGE	1	Is in N°15531820N
6	14030351G	OVERLOAD CAP 0,8 BAR	1	Is in N°15531820N
7	14231020A	CLOSING PLUG 12F120_12M26	2	Is in N°15531820N
8	15037020M	GASKET	2	Is in N°15531820N
9	15030160F	CAP - EXCHANGER	1	Is in N°15531820N
10	15031230T	ZINC ANODE	1	 Is in N°15531820N
11	77707630Q	GASKET	1	Is in N°15531820N
12	15031970Y	EXCHANGER CORE SR7	1	Is in N°15531820N
13	15036192M	CAP	1	Is in N°15531820N
14	15034690E	EXCHANGER BODY 12M26	1	Is in N°15531820N / Kit containing:
15	77701580P	PLUG 36 STAINLESS	6	Is in N°15531820N & in N°15034690E
16	77706040M	SLINED PIN 4X18 LGC-G01	1	Is in N°15531820N
17	77707810L	COPPER GASKET 33,3 39 2	1	Is in N°15531820N
18	77727160T	NIVEAU D'EAU ECHANGE. NF	1	Is in N°15531820N
19	77711270X	O RING 190,1 3,53 NITR	2	Is in N°15531820N
20	77752380G	SCREW CHC 8 1.25 20 20	12	Is in N°15531820N
21	77753040Z	SCREW H 10 1.50 35 35	3	Is in N°15531820N

22	77753060W	SCREW H 10 1.50 45 26	3	Is in N°15531820N
23	15036200W	DEMI BRIDE FIX COUDE SORTIE EB	2	
24	77752050Y	SCREW H8 1.25 30 22	4	
25	15036091C	INLET RAW WATER ELBOW	1	
26	77753080S	SCREW H 10 1.50 55 26	4	
27	27675420D	SPACER 10,5 20 8	4	
28	77753030N	SCREW H 10 1.50 30 30	2	
29	11236670X	WASHER 10,25 25 3	2	
30	77711370F	O RING 68 x 4	1	
31	15036120J	CONNECTION HOSE	1	
32	77735080C	HOSE CLIP	2	
33	77753840T	SCREW	2	
34	77797310T	WASHER	2	
35	77713380Q	O RING 69,2 x 5,33	1	
36	15036292W	CONNECTING TUBE	1	
-	15539250P	EXCHANGER GASKET KIT 8/12M26	1	

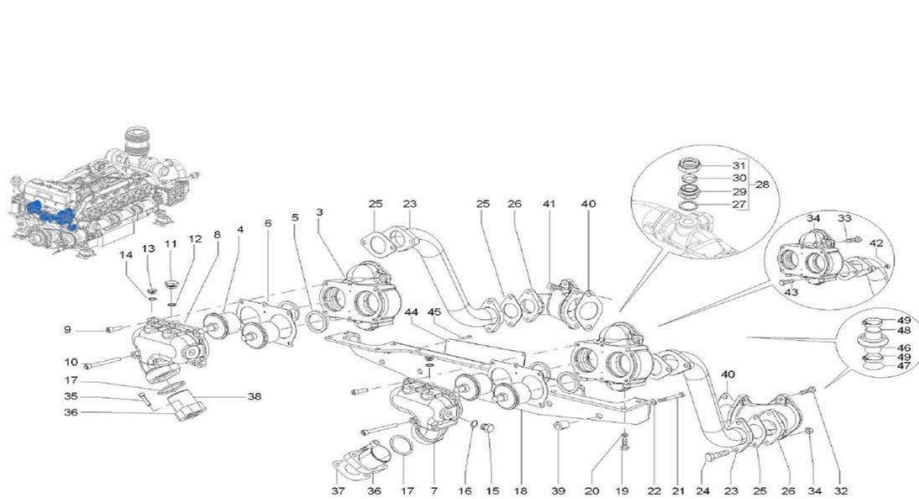


Rep	Reference	Description	Qty	Remarks
1	15531490E	HOUSING - THERMOSTAT	1	
2	15531500Q	HOUSING - THERMOSTAT	1	Kit containing:
3	15032690F	THERMOSTAT HOUSING	1	Is in N°15531500Q
4	15539240D	THERMOSTAT KIT 6/8/12M26	1	Is in N°15531500Q / Kit containing:
5	15032070G	SEAL RING 54 68 6	2	Is in N°15531500Q & in N°15539240D
6	15032770S	GASKET	1	Is in N°15531500Q & in N°15539240D
7	15034700Q	THERMOSTAT COVER	1	Is in N°15531500Q
8	15034710B	THERMOSTAT COVER	1	Is in N°15531500Q
9	77752240E	SCREW CHC 8 1.25 25 25 12.9	2	Is in N°15531500Q
10	77752540F	SCREW CHC 8 1.25 75 28	4	Is in N°15531500Q
11	11143060X	PLUG 1/2 GAS	1	Is in N°15531500Q
12	77707700R	COPPER GASKET 21,2 27,9 1,5	1	Is in N°15531500Q
13	11229450Z	PLUG 3/8 GAS BRASS	1	Is in N°15531500Q
14	77707580L	COPPER RING 18,2 23,9 1,5	1	Is in N°15531500Q
15	11230560F	PLUG 18X150 BRASS	1	Is in N°15531500Q
16	77707850E	COPPER GASKET 17,2 22,9 1,5	1	Is in N°15531500Q
17	77713930N	O RING 53,5 5,33 VITO	1	Is in N°15531500Q
18	15032820X	OVAL GASKET E100 V10 D 60 H1.5	2	
19	15032830H	OVAL GASKET E 75 V 8 D 40 H1.5	2	
20	77753300G	SCREW CHC 10 1.50 30 30 12	4	
21	77752240E	SCREW CHC 8 1.25 25 25 12.9	4	

22	15032860Q	OVAL FLANGE 50 70 84	2
23	77713930N	O RING 53,5 5,33 VITO	4
24	14230480N	CONNECTING TUBE CENTRAL	2
25	77753451W	SCREW	4
26	13616651H	OVAL GASKET E 84 V10 ELASTOMER	2
-	15531950E	THERM. BOX GASKET KIT	2

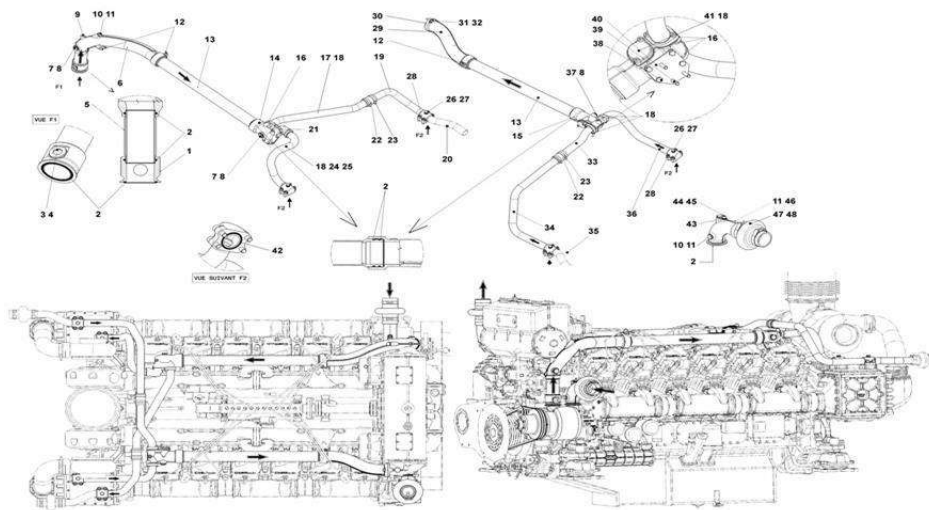


Rep	Reference	Description	Qty	Remarks
1	13516260M	OVAL GASKET 50x70x78 ELASTOMER	10	
2	13613990Q	OVAL GASKET 6 V8D40 H1.5 ELAST	12	
3	13616660S	OVAL FLANGE E 78 FULL STEEL	2	
4	14400103L	LIPPED RING 8	24	
5	15033831W	RAMPE LATERALE BI.CYL 8/12M26	4	
6	15033841G	CONNECTING SECTION	2	
7	15034111A	STARBOARD TUBE ELEMENT	1	
8	15034121L	PORT TUBE ELEMENT	1	
9	15034130W	CONNECTING TUBE	2	
10	77713930N	O RING 53,5 5,33 VITO	4	
11	77752400D	SCREW CHC 8 1.25 90 28	2	
12	77752470E	SCREW CHC 8 1.25 40 28 12.9	22	
13	77753300G	SCREW CHC 10 1.50 30 30 12	20	
14	15033560B	OVAL FLANGE M26X1,50 70 78	2	
15	77729680H	RAC BIC CPL 26x150 4A22	2	
16	77707780D	COPPER RING 26.3 31,9 2	2	
17	15036500X	FLEXIBLE	1	
18	15036510H	FLEXIBLE	1	
-	15539360J	PJ RAMPE LATERALE 12M26	2	



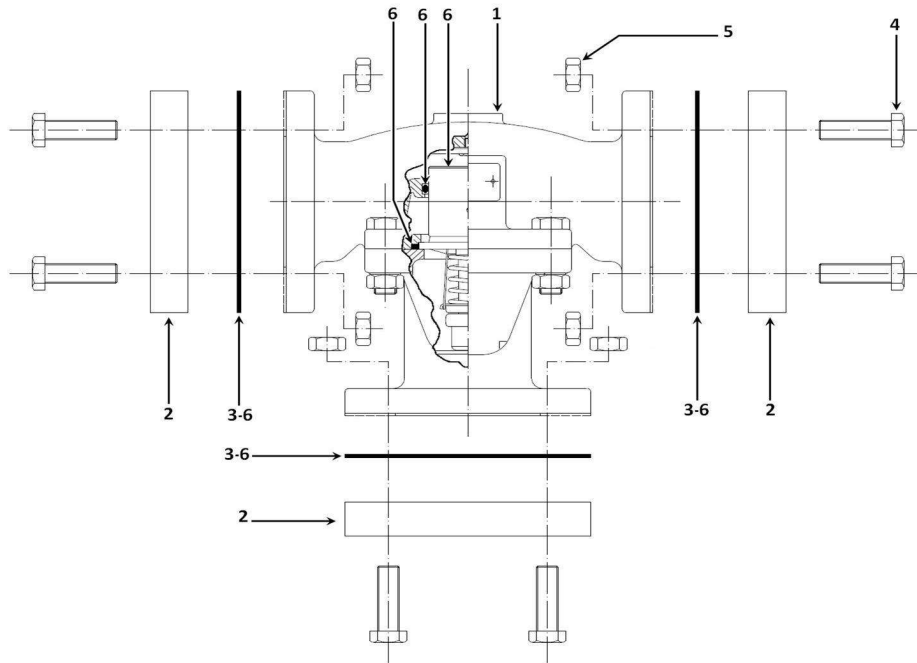
Rep	Reference	Description	Qty	Remarks
1	15531500Q	HOUSING - THERMOSTAT	1	
2	15531490E	HOUSING - THERMOSTAT	1	Kit containing:
3	15032690F	THERMOSTAT HOUSING	1	Is in N°15531490E
4	15539240D	THERMOSTAT KIT 6/8/12M26	1	Is in N°15531490E / Kit containing:
5	15032070G	SEAL RING 54 68 6	2	Is in N°15531490E & in N°15539240D
6	15032770S	GASKET	1	Is in N°15531490E & in N°15539240D
7	15034700Q	THERMOSTAT COVER	1	Is in N°15531490E
8	15034710B	THERMOSTAT COVER	1	Is in N°15531490E
9	77752240E	SCREW CHC 8 1.25 25 25 12.9	2	Is in N°15531490E
10	77752540F	SCREW CHC 8 1.25 75 28	4	Is in N°15531490E
11	11143060X	PLUG 1/2 GAS	1	Is in N°15531490E
12	77707700R	COPPER GASKET 21.2 27,9 1,5	1	Is in N°15531490E
13	11229450Z	PLUG 3/8 GAS BRASS	1	Is in N°15531490E
14	77707580L	COPPER RING 18,2 23,9 1,5	1	Is in N°15531490E
15	11230560F	PLUG 18X150 BRASS	1	Is in N°15531490E
16	77707850E	COPPER GASKET 17,2 22,9 1,5	1	Is in N°15531490E
17	77713930N	O RING 53,5 5,33 VITO	4	Is in N°15531490E
18	15034970J	SUPPORT	1	
19	77752020Q	SCREW H8 1.25 20 20	8	
20	77795520Y	WASHER M 8 U 8,2 18 1,5 C	8	
21	77753100P	SCREW H 10 1.50 65 26	4	

22	77795530J	WASHER M 10 U 10,2 22 2	4	
23	15034980V	BY-PASS TUBE	2	
24	77752050Y	SCREW H8 1.25 30 22	4	
25	15032830H	OVAL GASKET E 75 V 8 D 40 H1.5	4	
26	15034940B	WATER SUCTION ELBOW	2	
27	11140200N	COPPER RING 32.3 39,9 2	1	
28	13035120J	BIC CONNECTION 32x150 SMB T28	1	Kit containing:
29	11238990T	FITTING 32x150 JC-36x150 T28 LT	1	Is in N°13035120J
30	11239000E	DOUBLE-CONE TUBE 24X28	1	Is in N°13035120J
31	11239010Q	NUT 36X1,50 TUBE 24X28	1	Is in N°13035120J
32	77753040Z	SCREW H 10 1.50 35 35	4	
33	77753060W	SCREW H 10 1.50 45 26	4	
34	77790300Z	NUT H 10	4	
35	77753450V	SCREW CHC 10 1.50 40 40 12.9	4	
36	15032860Q	OVAL FLANGE 50 70 84	2	
37	13616651H	OVAL GASKET E 84 V10 ELASTOMER	2	
38	14230480N	CONNECTING TUBE CENTRAL	2	
39	14070230D	SPACER 10,5 20 22	4	
40	15032870B	OVAL GASKET E 94 V10 D 62 H1.5	2	
41	77753030N	SCREW H 10 1.50 30 30	4	
42	77790200Q	NUT H 8	4	
43	77752070V	SCREW H 8 1.25 35 22	4	
44	14180020Q	PLAQUE DE FIRME	1	
45	77724120P	RIVET 2.9 5 SIM N 4	4	
46	15036340Y	FLANGE	4	
47	77711490L	O RING 69,45 3,53 VITO	4	
48	15036120J	CONNECTION HOSE	4	
49	77735080C	HOSE CLIP	8	

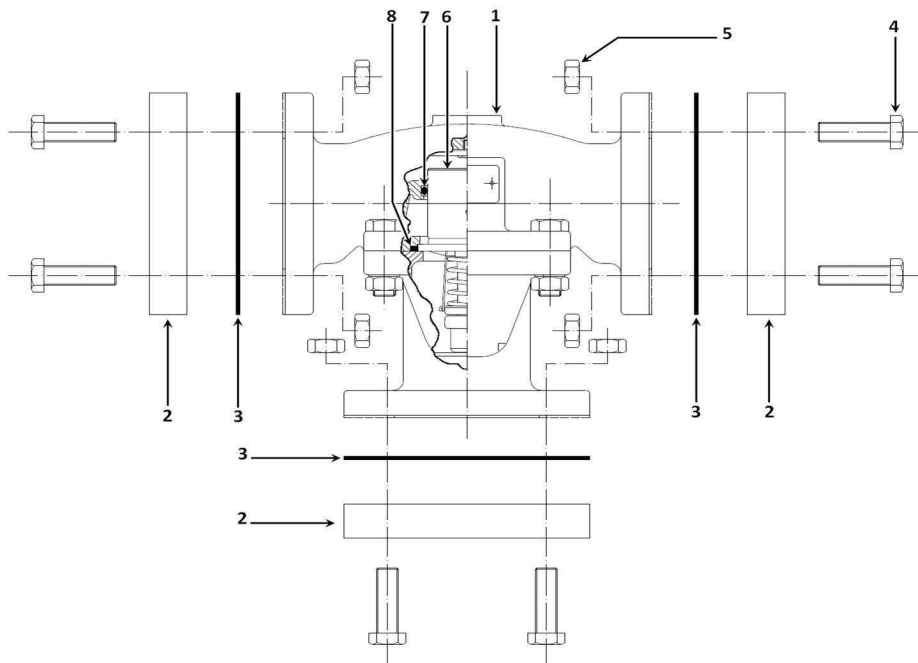


Rep	Reference	Description	Qty	Remarks
1	15035131J	R.W PPE OUTLET FLANGE+EMERGENC	1	
2	77711370F	O RING 68 x 4	11	
3	11128190J	PLUG 32X150 BRASS	1	
4	77707790P	GASKET	1	
5	15036520T	CONNECTING PIPE	1	
6	15036212J	CONNECTING TUBE	1	
7	15031230T	ZINC ANODE	2	
8	77707630Q	GASKET	2	
9	77733370T	PLUG 1/4 GAZ STHC BRASS	1	
10	11230560F	PLUG 18X150 BRASS	2	
11	77707580L	COPPER RING 18,2 23,9 1,5	2	
12	77752380G	SCREW CHC 8 1.25 20 20	5	
13	15034330N	CONNECTING PIPE	2	
14	15033511Y	PIECE DE DIVISION	1	
15	15036181A	PIECE DIVISION EB TRIBORD BR	1	
16	77712040J	O RING 47 x 2	4	
17	15036650K	TUBE	1	
18	77752250Q	SCREW CHC 8 1.25 30 30 12.9	9	
19	15036660W	TUBE	1	
20	15036710A	TUBE	1	
21	14031820D	OVAL GASKET 40x61x64 ELASTOMER	1	

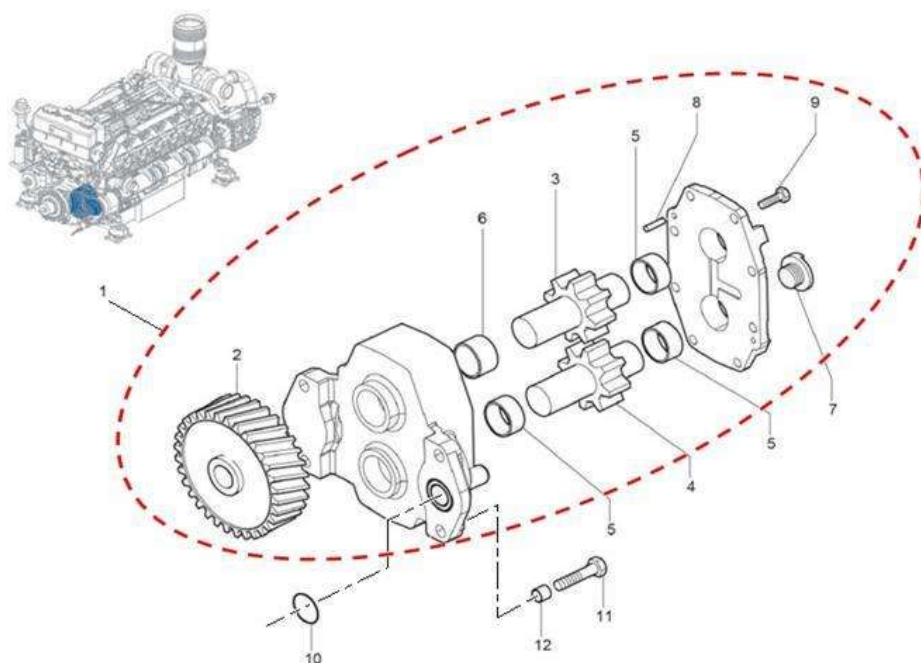
22	15035920R	HOSE 45 57 75	2
23	77704670Y	HOSE CLIP	4
24	15036640Z	TUBE	1
25	77752300V	SCREW CHC 8 1.25 70 28	1
26	11144230T	PLUG 14X150 BRASS	4
27	77707540S	COPPER RING 14,5 17,9 1,5	4
28	77754500L	SCREW CHC 12 1,75 35 35	16
29	15036292W	CONNECTING TUBE	1
30	77713380Q	O RING 69,2 x 5,33	1
31	77753840T	SCREW	2
32	77797310T	WASHER	2
33	15036670G	TUBE	1
34	15036680S	TUBE	1
35	15036690D	TUBE	1
36	15036700P	TUBE	1
37	11227680A	PLUG 24X150 BRASS	1
38	77752000T	SCREW H8 1.25 16 16	8
39	77752260B	SCREW H 8 1,25 55 22	6
40	15033530T	SUPPORT PLATE	2
41	15036300E	BLIND FLANGE	1
42	77711980T	O RING 46 x 3	4
43	14400320X	GLAND PACKING	1
44	77753700R	SCREW CHC 10 1,5 16 16 STAINLESS	1
45	77795690H	WASHER Z10 STAINLESS	2
46	16081580D	ZING ANODE M18X150	1
47	15036120J	CONNECTION HOSE	2
48	77735080C	HOSE CLIP	4
-	15531960Q	GASKET KIT	1



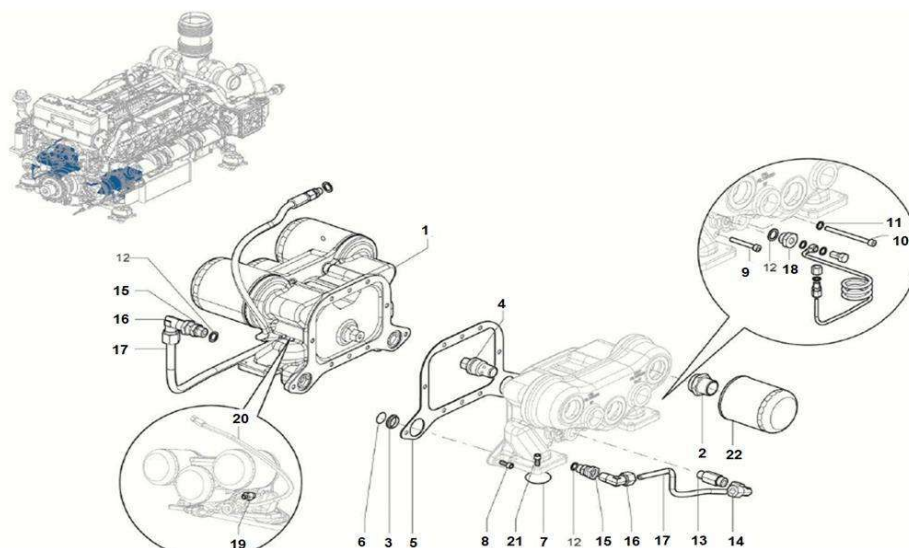
Rep	Reference	Description	Qty	Remarks
-	15531740B	KIT VANNE THERMO 30m3/h EB	1	Kit containing:
1	15035500K	VANNE THERMO 30m3/h eau de mer	1	Is in N°15531740B
2	15035540D	FLANGE 30m3/h RAW WATER	3	Is in N°15531740B
3	15035560A	GASKET	3	Is in N°15531740B
4	77756240C	SCREW H 16 2.00 55 38	12	Is in N°15531740B
5	77790600A	NUT H 16	12	Is in N°15531740B



Rep	Reference	Description	Qty	Remarks
-	15531741C	VANNE THERMO 30m3/h EB EQUIPEE	1	Kit containing:
1	15035501L	VANNE THERMO 30M3/H EB	1	Is in N°15531741C
2	15035541E	BLIND FLANGE	3	Is in N°15531741C
3	15035561B	GASKET	3	Is in N°15531741C
4	77757300E	SCREW H 18 2.50 70 42	12	Is in N°15531741C
5	77790700J	NUT H 18	12	Is in N°15531741C
-	15539500L	MAINT VANNE THERMO EB 30M3/H	-	Kit containing:
3	15035561B	GASKET	3	Is in N°15539500L
6	15039810V	THERMOSTAT	2	Is in N°15539500L
7	15039820F	GASKET	2	Is in N°15539500L
8	15039830R	GASKET	2	Is in N°15539500L

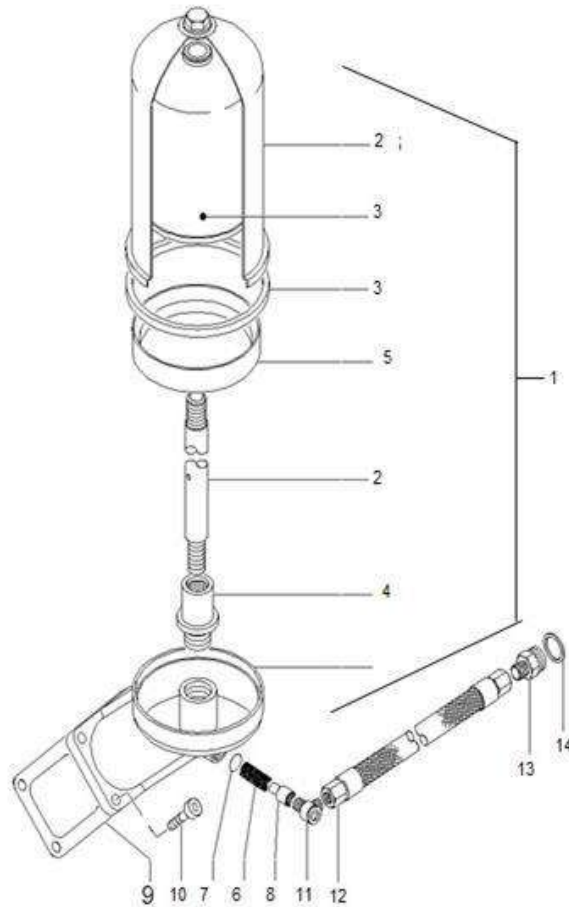


Rep	Reference	Description	Qty	Remarks
1	15540070F	OIL PUMP	1	Kit containing:
2	15040100K	OIL PUMP DRIVING PINION	1	Is in N°15540070F
3	15540020B	SHAFT - DRIVE	1	Is in N°15540070F
4	15540030M	DRIVEN SHAFT	1	Is in N°15540070F
5	15040190H	OIL PUMP RING	3	Is in N°15540070F
6	15040200T	OIL PUMP RING	1	Is in N°15540070F
7	15050210Z	DRIVING SCREW 16X1,50 13 10	1	Is in N°15540070F
8	77707220V	MECA DOWEL PIN 6 X30	2	Is in N°15540070F
9	77753020C	SCREW H 10 1.50 25 25	8	Is in N°15540070F
10	27654140Y	O RING 48 3 NITR	2	
11	77754100B	SCREW H 12 1.75 60 30	4	
12	14060700V	SPACER 12,5 22 24	4	

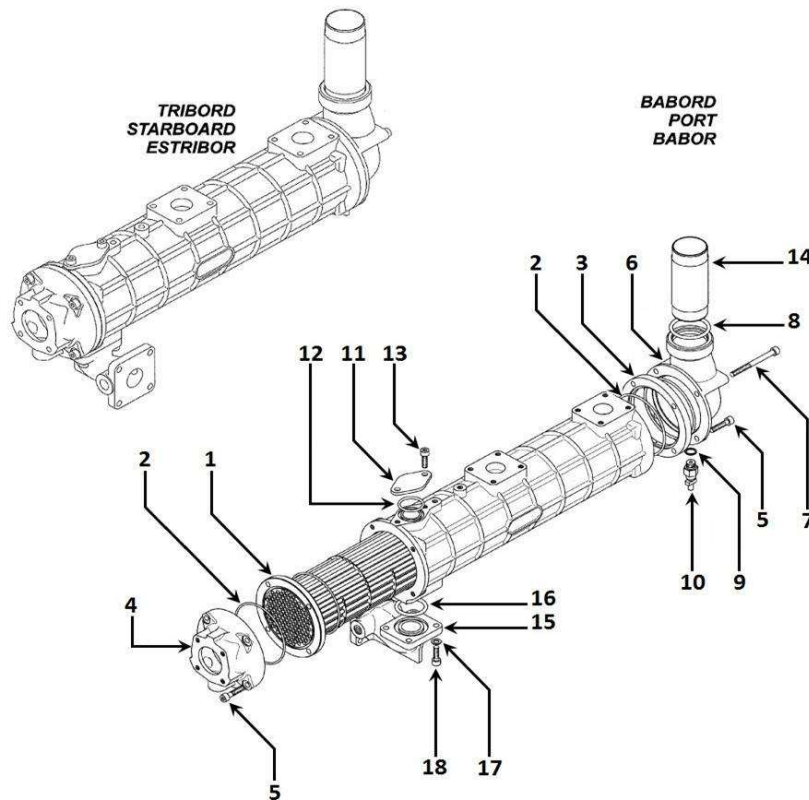


Rep	Reference	Description	Qty	Remarks
1	15540490M	SUPPORT	2	Kit containing:
2	14400085R	NIPPLE 27x150 JC-1 " UNF12 JC	3	Is in N°15540490M
3	15040210E	SEAL RING	2	Is in N°15540490M
4	15540151T	DISCHARGE VALVE	1	Is in N°15540490M
5	13615050S	GASKET	2	
6	77711810J	O RING 28 4 NITR	4	
7	77713290S	O RING 40,6 5,33 NITR	4	
8	77752250Q	SCREW CHC 8 1.25 30 30 12.9	4	
9	77752450H	SCREW CHC 8 1.25 55 28	4	
10	77752630D	SCREW CHC 8 1.25 100 28	8	
11	14400103L	LIPPED RING 8	12	
12	77707580L	COPPER RING 18,2 23,9 1,5	8	
13	15041651W	SPACER M18X1,5/M22X1,5	4	
14	77719780X	RAC EQU ADAP 22x150 27DS14	2	
15	77718871J	Pipe Reducer	2	
16	77718872K	Union Elbow	2	
17	15041521E	OIL INLET TUBE	1	
17	15041511T	OIL INLET TUBE	1	
18	77733040K	BORED PLUG	2	
19	15041660F	SPACER M18X1,50/M14X1,50	2	
20	77732280J	FLEXIBLE	1	

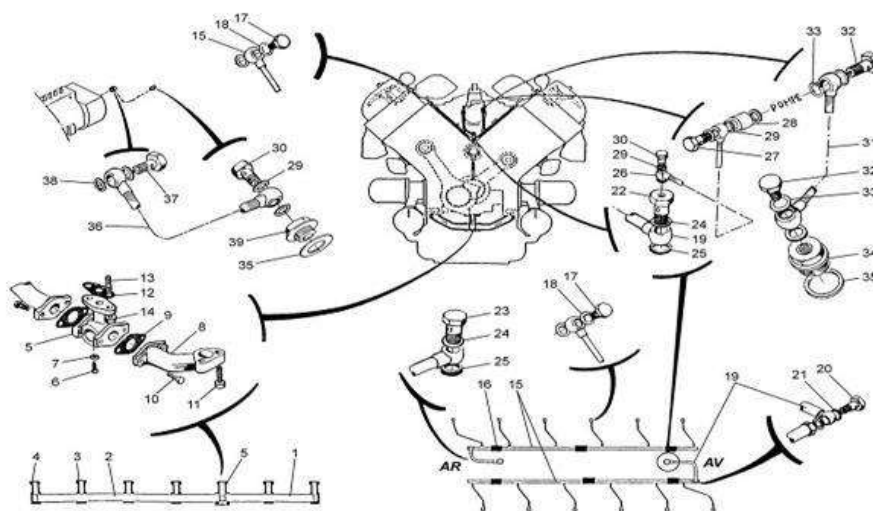
21	77752240E	SCREW CHC	8 1.25 25 25 12.9	8
22	15041680C	OIL FILTER		6
-	15549150A	GASKET KIT		2



Rep	Reference	Description	Qty	Remarks
1	15540470Q	OIL FILTER CENT."SENTRY" M	2	Kit containing:
2	15540390D	FILTER	1	Is in N°15540470Q / Kit containing:
3	15049010V	CARTRIDGE FILTER	1	Is in N°15540470Q & in N°15540390D
4	15041230N	SUPPORT	1	Is in N°15540470Q
5	15041310A	SPACER 100,5 106 19 CEN	1	Is in N°15540470Q
6	15041220C	SPRING 12 1,4 50 0,	1	Is in N°15540470Q
7	15041370Q	SPACER WASHER	1	Is in N°15540470Q
8	15041270G	SLIDE VALVE	1	Is in N°15540470Q
9	14210300D	GASKET	2	
10	77752380G	SCREW CHC 8 1.25 20 20	8	
11	77719270S	RAC PAS INT 14x150 42DL10	2	Kit containing:
12	77732030M	FLEXIBLE	2	Is in N°77719270S
13	77719430R	FITTING 16x150 10JC-18x150 12JC	2	Is in N°77719270S
14	77707580L	COPPER RING 18,2 23,9 1,5	2	Is in N°77719270S

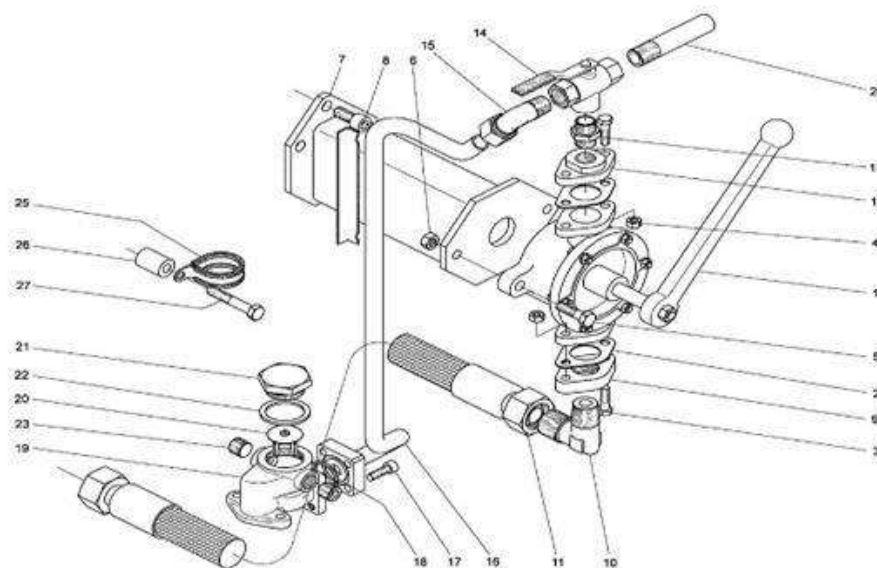


Rep	Reference	Description	Qty	Remarks
-	15540485G	OIL COOLER 12M26	2	Kit containing:
1	15049060Z	OIL COOLER CORE	1	Is in N°15540485G
2	77711550B	O RING 103,2 3,53 VITO	4	Is in N°15540485G
3	15049070K	SPACER	1	Is in N°15540485G
4	15032980W	FRONT CAP	1	Is in N°15540485G
5	77752430L	SCREW CHC 8 1.25 35 35 12.9	6	Is in N°15540485G
6	15049050N	WATER OUTLET CAP	1	Is in N°15540485G
7	77752400D	SCREW CHC 8 1.25 90 28	2	Is in N°15540485G
8	77713930N	O RING 53,5 5,33 VITO	1	Is in N°15540485G
9	77707540S	COPPER RING 14,5 17,9 1,5	1	Is in N°15540485G
10	15032100P	COCK 14X150	1	Is in N°15540485G
11	15049080W	FLANGE - not supplied anymore	1	Is in N°15540485G
12	77713250Z	O RING 34,1 3,6 NITR	1	Is in N°15540485G
13	77752190A	SCREW CHC 8 1.25 16 16	2	Is in N°15540485G
14	15034130W	CONNECTING TUBE	2	
15	15041480K	OIL COOLER FEEDING ELBOW M26	2	
16	77713290S	O RING 40,6 5,33 NITR	2	
17	77720830N	WASHER SCHNORR S 8 8,4 1	8	
18	77752240E	SCREW CHC 8 1.25 25 25 12.9	8	
-	14031240Y	DRAIN TUBE	2	
-	15549120S	PJ REFROIDIS.HUILE 12M26	2	



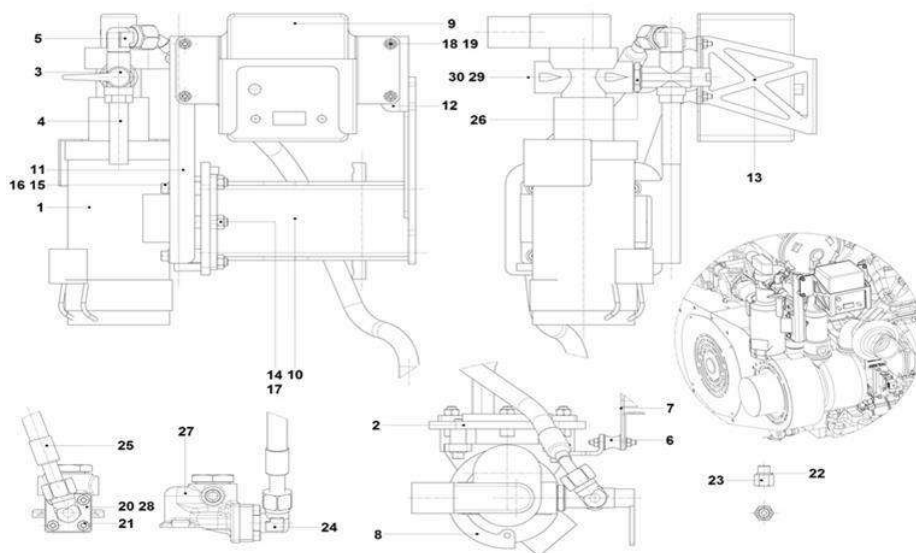
Rep	Reference	Description	Qty	Remarks
1	13614240M	RAMP TUBE	1	
2	13614320Z	RAMP TUBE	1	
3	13615990P	TEE CONNECTION	4	
4	13616000A	TEE CONNECTION	2	
5	13615980D	TEE CONNECTION	1	
6	77751010S	SCREW H 6 1.00 15 15	2	
7	77720810R	WASHER SCHNORR S 6 6,4 1	2	
8	13614150P	ELBOW	2	
9	13614100K	OVAL GASKET E 60 ELASTOMERE	2	
10	77752040M	SCREW H8 1.25 25 25	4	
11	77753190M	SCREW CHC 10 1.50 35 35 12.9	4	
12	13614180X	OVAL GASKET E 50 V10 D 13 H0.4	7	
13	77772040B	STUD 10(16. 07.12) FR	14	
14	77790300Z	NUT H 10	14	
15	15040390A	ROCKER ARM OIL GALLERY	2	
16	15040650M	PROTECTIVE FLEXIBLE PIPE	3	
17	77720210P	HOLLOW SCREW 12X150 DIN7623	12	
18	77707520W	COPPER RING 12,2 15,9 1,5	24	
19	13683340W	SUCTION PIPE	2	
20	14053660S	HOLLOW SCREW 8X100	2	
21	77717110C	GASKET	4	

22	14450095A	HOLLOW SCREW 14X150/10X100	1
23	77720030T	HOLLOW SCREW 14X150	1
24	77707540S	COPPER RING 14,5 17,9 1,5	2
25	11143080T	COPPER RING 14.2 20 2.5	2
26	15040252A	HOSE	1
27	15052130L	OIL FEED TUBE	1
28	15051270B	HOLLOW SCREW 10X100 DOUBLE	1
29	77707510K	COPPER RING 10.2 14 1	9
30	14050370R	HOLLOW SCREW 10X100 DIN7623	3
31	15040261K	OIL RETURN HOSE 12M26	1
32	77720030T	HOLLOW SCREW 14X150	2
33	77707540S	COPPER RING 14,5 17,9 1,5	4
34	77733200J	BORED PLUG 32X150 14X1,5	1
35	11140200N	COPPER RING 32.3 39,9 2	2
36	15041332Z	OIL RETURN HOSE REGUL.	1
37	77720260T	HOLLOW SCREW 12X150 LAITON	1
38	77707520W	COPPER RING 12,2 15,9 1,5	2
39	77733020N	BORED PLUG 32X150 12X1,50	1



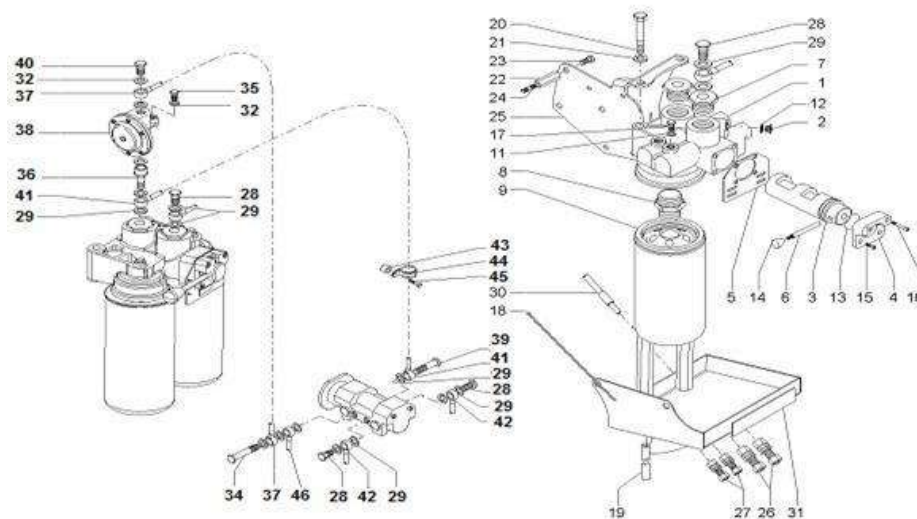
Rep	Reference	Description	Qty	Remarks
1	77717510E	Pump	1	
2	11204940H	OVAL GASKET 24x44x53 ELASTOMER	2	
3	77752050Y	SCREW H8 1.25 30 22	4	
4	77790200Q	NUT H 8	4	
5	77753040Z	SCREW H 10 1.50 35 35	2	
6	77790300Z	NUT H 10	2	
7	15041400Y	SUPPORT	1	
8	77754390R	SCREW CHC 12 1.75 25 25	4	
9	15041750D	OVAL FLANGE E 54 3/4 GAS STEEL	1	
10	77729650A	ADAPTER	1	
11	15041361F	HOSE	1	
12	13617120S	OVAL FLANGE E 54 1/2Gaz JAPY	1	
13	77718900Q	FITTING 1/2 GCO -1/2 GCO AFY	1	
14	77718910B	COCK	1	
15	77718880T	Link assembly	1	
16	15041430F	TUBE	1	
17	77752240E	SCREW CHC 8 1.25 25 25 12.9	4	
18	77713220R	O RING 29,3 3,6 NITR	1	
19	13583790P	HOUSING	1	
20	13604670P	VALVE	1	
21	13584180N	PLUG 38X150	1	

22	77707870B	COPPER RING 38,3 45,9 2	1
23	11114710G	CONICAL PLUG 18X150 BRASS	2
24	15040760C	JAPY DRAINING TUBE	1
25	77704970Z	HOSE CLIP	2
26	13636780M	SPACER 10,5 20 26	2
27	77753090D	SCREW H 10 1.50 60 26	2
-	15549160L	Hose Kit	1



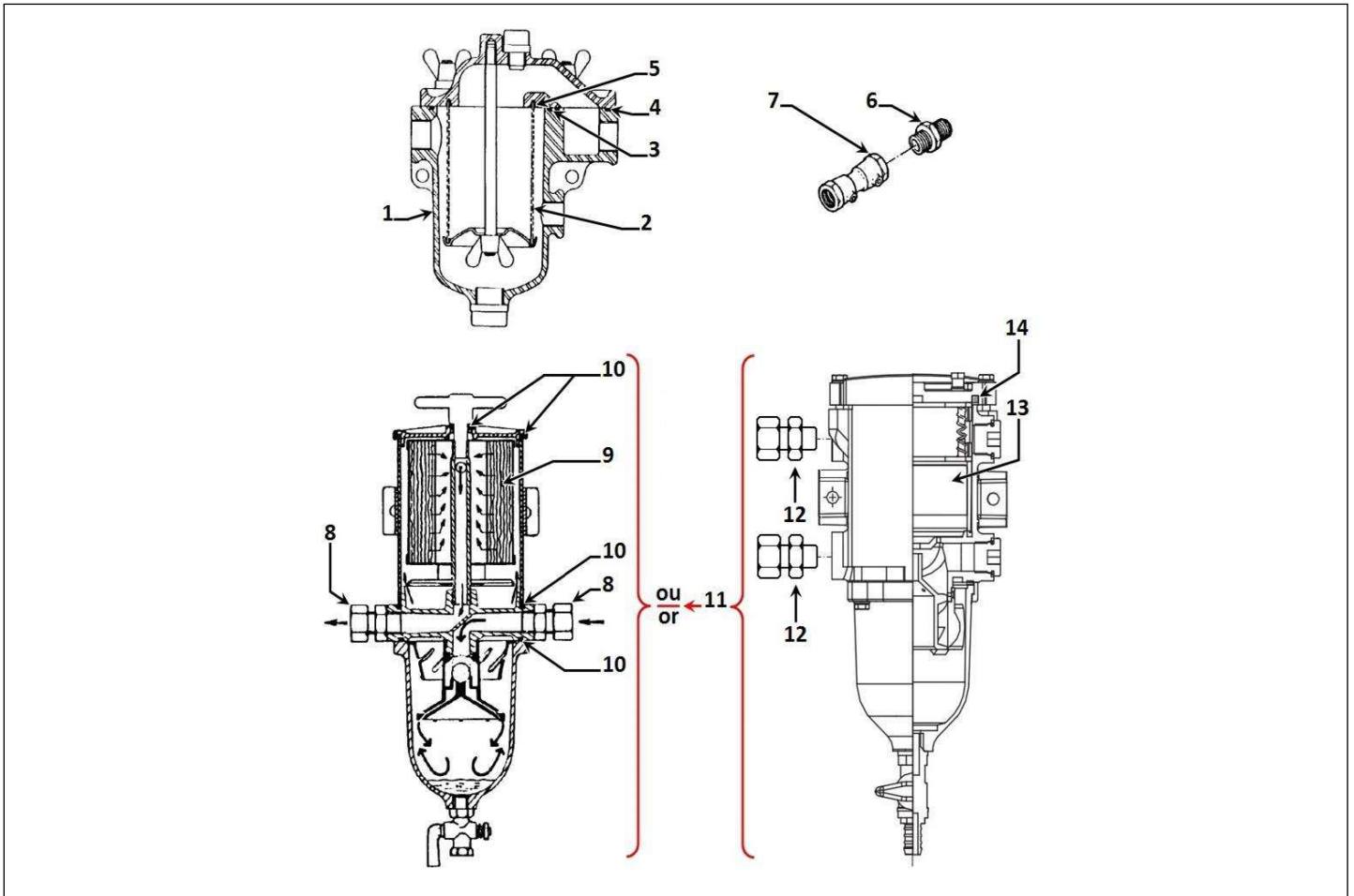
Rep	Reference	Description	Qty	Remarks
1	15041950W	PUMP	1	
2	15041910C	TOLE FIXATION PPE PREGRAI G&R	1	
3	77718910B	COCK	1	
4	15040760C	JAPY DRAINING TUBE	1	
5	77718880T	Link assembly	2	
6	77716800H	RUBBER BLOCK	4	
7	15112050R	SUPPORT - HOUSING	1	
8	15041970S	TOLE DE PROTEC ELECTROPMPPE G&R	1	
9	77740305G	WIRING HARNESS	1	
10	15042360R	SUPPORT	1	
11	15042420G	SUPPORT	1	
12	15042410W	SUPPORT	1	
13	15041920N	CAPOT BOIT ELEC PREGRAIS 12M26	1	
14	37247170E	SCREW CHC 10 1.50 30 30	4	
15	77752780R	SCREW CHC 8 1.25 45 28 STAINLESS	4	
16	77795520Y	WASHER M 8 U 8,2 18 1,5 C	4	
17	77790300Z	NUT H 10	4	
18	77795460H	WASHER M 6 U 6,2 14 1,2 C	8	
19	77790100G	NUT H 6	8	
20	15042550Y	SQUARE FLANGE	1	
21	77752240E	SCREW CHC 8 1.25 25 25 12.9	4	

22	77707740K	COPPER GASKET 13.2 17 2	1
23	77733410M	BORED PLUG 1/8" NPT 1/4"gaz	1
24	77718880T	Link assembly	1
25	15053400R	FLEXIBLE	1
26	77729550R	FITTING 1/2 GCO -3/4 GCO AFY	1
27	13583790P	HOUSING	1
28	77713220R	O RING 29,3 3,6 NITR	1
29	77729660L	RAC BIC CPL 3/4 GCO 4A22	1
30	15041940K	FLEXIBLE	1

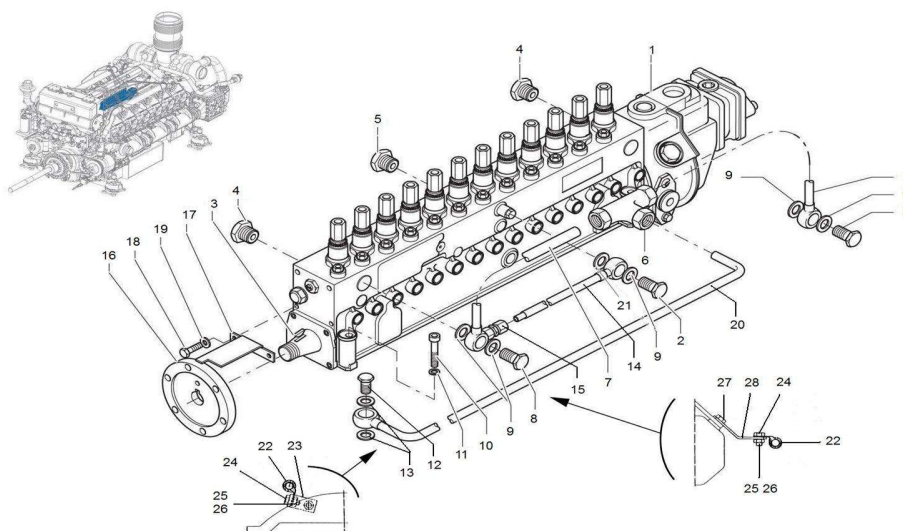


Rep	Reference	Description	Qty	Remarks
1	15550400J	FUEL FILTER 6S111SGE	1	Kit containing:
2	14400078J	PLUG 18X150 STEEL	1	Is in N°15550400J
3	15050550T	DOUBLE FILTER BUSHEL	1	Is in N°15550400J
4	15050560E	PLUG	1	Is in N°15550400J
5	15050570Q	PLATE - INSTRUCTION	1	Is in N°15550400J
6	15050590M	FILTER CONTROL HANDLE	1	Is in N°15550400J
7	15050610J	BORED PLUG 30X150 16X1,50	2	Is in N°15550400J
8	15050620V	NIPPLE 16x150 JC-24x150 JC	2	Is in N°15550400J
9	15050630F	FUEL FILTER ELEMENT	2	Is in N°15550400J
11	77707830H	COPPER RING 6,2 10 1	4	Is in N°15550400J
12	77707900J	COPPER RING 18,2 22 1,5	1	Is in N°15550400J
13	77713260K	O RING 35,6 3,6 NITR	1	Is in N°15550400J
14	77717040T	BALL 0830106 6X100	1	Is in N°15550400J
15	77751120M	SCREW CHC 6 1.00 16 16	2	Is in N°15550400J
16	77751240S	SCREW CHC 6 1.00 25 25	2	Is in N°15550400J
17	77751250D	SCREW H6 1.00 10 10	4	Is in N°15550400J
18	15053161G	SUPPORT	1	
19	15051940E	FUEL DRAIN TUBE	0,4	
20	77753110A	SCREW H 10 1.50 80 26	2	
21	77795580N	WASHER Z 10 U 10,2 20 2 CB	2	
22	15053170R	SPACER	3	

23	77752000T	SCREW H8 1.25 16 16	3
24	77771060L	STUD 8(15. 08.15)	3
25	15053240S	SUPPORT	1
26	15052820L	LINK BIC DBLE 12 BULKHEAD	2
27	15052780S	LINK BIC DBLE 8 BULKHEAD	2
28	27210720V	HOLLOW SCREW 16X150 DIN7623	3
29	14400191G	COPPER GASKET 16.2 21,9 1,5	13
30	15053190N	HOSE	1
31	15053180C	ETIQUETTE BORNIER 12M26.2	1
32	77707540S	COPPER RING 14,5 17,9 1,5	4
34	15051420P	HOLLOW SCREW 16X150 DOUBLE	1
35	15051430A	HOLLOW SCREW 14X150	1
36	15051440L	HOLLOW SCREW 16X150 SPECIALE	1
37	15051450X	FUEL HOSE	1
38	15551171X	PRIMING PUMP	1
39	15551231M	NON RETURN VALVE	1
40	77720030T	HOLLOW SCREW 14X150	1
41	15053260P	HOSE	1
42	15050160V	CONNECTION HOSE	2
43	15070110E	SPACER 10,5 22 15	1
44	14400212E	COLLAR HB 20 8,5 16 NEOPRENE	1
45	77752050Y	SCREW H8 1.25 30 22	1
46	15053200Z	FUEL FEED HOSE	1

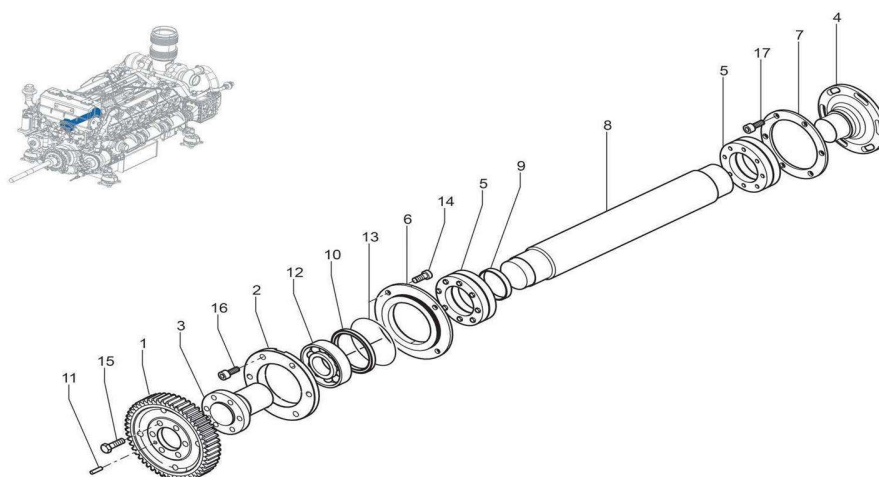


Rep	Reference	Description	Qty	Remarks
1	77728650N	PRE-FILTRE RELLUMIX	1	
2	77728660Z	TUNDISH	1	
3	77728670K	COVER GASKET	1	
4	77728680W	GASKET	1	
5	77728690G	GASKET	2	
6	77729520J	FITTING 1" GCO -1" GCO AFY	1	
7	77729040M	NON RETURN VALVE TJ 1"9	1	
8	77729720B	RAC BIC CPL 22x150 4A18	2	
9	77728840V	CARTRIDGE W/GASKET	1	
10	77728841W	PJ CARTOUCHE RACOR 900MAG	1	
12	77729720B	RAC BIC CPL 22x150 4A18	2	Is in N°15559431A

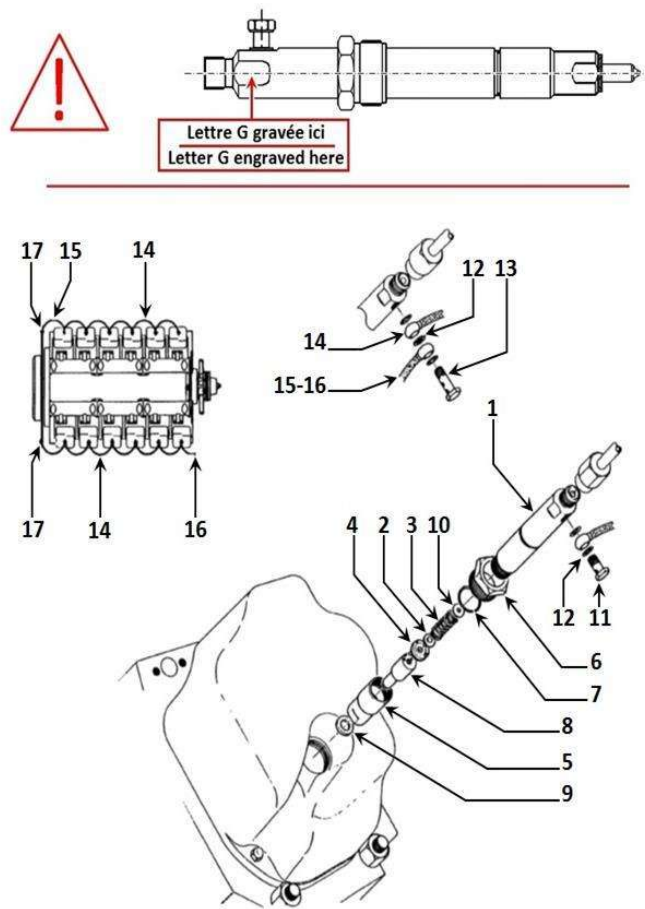


Rep	Reference	Description	Qty	Remarks
1	15551766T	INJECTION PUMP 12M26 LDA AR	1	Kit containing:
2	15058260Z	RELIEF VALVE	1	Is in N°15551766T
3	77704260C	WOODRUFF KEY 5 9 PPE BO	1	Is in N°15551766T
4	14400634N	BORED PLUG 14X150 6X100	1	Is in N°15551766T
5	14400234D	PLUG 14X150	1	Is in N°15551766T
6	77718110G	Tee union	1	
7	15050690W	TUBE	2	
8	77720030T	HOLLOW SCREW 14X150	2	
9	77707540S	COPPER RING 14,5 17,9 1,5	4	
10	77753260N	SCREW CHC 10 1.50 90 32	4	
11	77795580N	WASHER Z 10 U 10,2 20 2 CB	4	
12	27210720V	HOLLOW SCREW 16X150 DIN7623	1	
13	14400191G	COPPER GASKET 16.2 21,9 1,5	2	
14	77717640W	FLEXIBLE	1	
15	77719230Z	Union	1	
16	15052370X	COUPLING DISC	1	
17	15052460V	TIMING POINTER HOLE - BOSCH PU	1	
18	77751250D	SCREW H6 1.00 10 10	2	
19	77795460H	WASHER M 6 U 6,2 14 1,2 C	2	
20	15053250D	TUBE	1	
21	11143080T	COPPER RING 14.2 20 2.5	1	

22	14400606H	COLLAR RSGU 1 12 20	2
23	14102030T	SUPPORT ANGLE	1
24	77752020Q	SCREW H8 1.25 20 20	2
25	77790200Q	NUT H 8	2
26	77795420P	WASHER Z 8 U 8,2 16 1,5	2
27	77752050Y	SCREW H8 1.25 30 22	1
28	15051001J	SUPPORT	1
-	77720090J	HOLLOW SCREW 18X150 DIN7623	1
-	77707580L	COPPER RING 18,2 23,9 1,5	1
-	77734031M	FLEXIBLE	1
-	77704980K	HOSE CLIP	2
-	77720210P	HOLLOW SCREW 12X150 DIN7623	1
-	77707520W	COPPER RING 12,2 15,9 1,5	2
-	15552050C	INJ. PUMP GASKET KIT	1

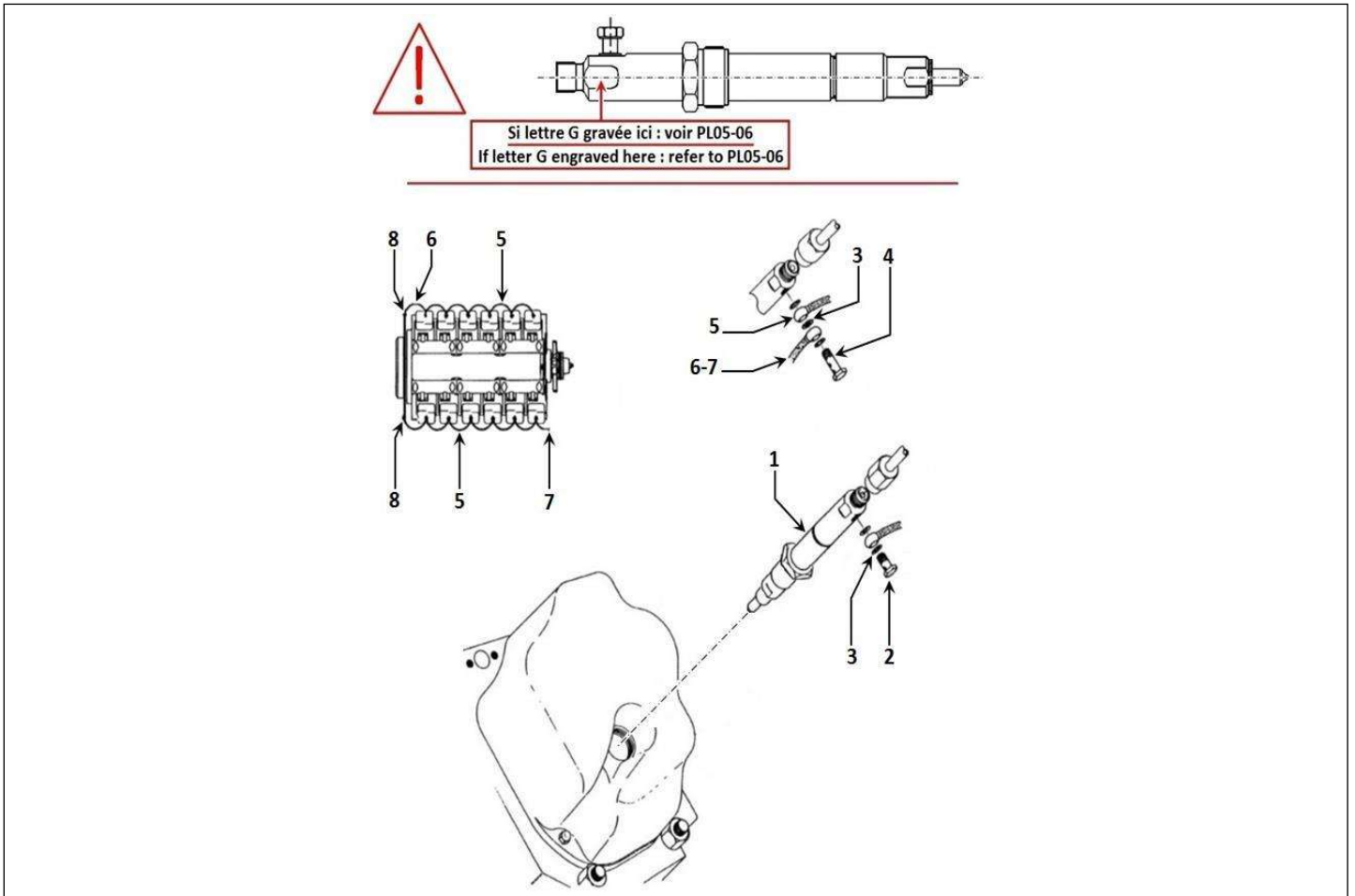


Rep	Reference	Description	Qty	Remarks
1	15050750L	INJ PUMP PINION	1	
2	15052330D	BALL BEARING CASE	1	
-	15551670P	SHAFT - PUMP DRIVE	1	Kit containing:
3	15052350A	DRIVE SHAFT	1	Is in N°15551670P
4	15052360L	MANCHON D'ACCOUPEMENT.	1	Is in N°15551670P
5	15052380H	ELEMENT DE SERRAGE RLK 603 62	2	Is in N°15551670P
6	15052400E	PORTE BAGUE	1	Is in N°15551670P
7	15052410Q	CLAMPING WASHER	1	Is in N°15551670P
8	15052340P	TUBE DE CDE DE PPE.	1	Is in N°15551670P
9	15052390T	FRICTION RING	1	Is in N°15551670P
10	77700861H	SEAL RING 62 80 10 POLYAC	1	Is in N°15551670P
11	77706070V	SLINED PIN 6X16 LGC-G05	1	Is in N°15551670P
12	77840350B	SWIVEL BEARING 50 90 20 20210	1	Is in N°15551670P
13	77711020A	O RING 95,1 2,4 NITR	1	
14	77752380G	SCREW CHC 8 1.25 20 20	4	
15	77753020C	SCREW H 10 1.50 25 25	6	
16	77753170Q	SCREW CHC 10 1.50 25 25	6	
17	77753300G	SCREW CHC 10 1.50 30 30 12	6	

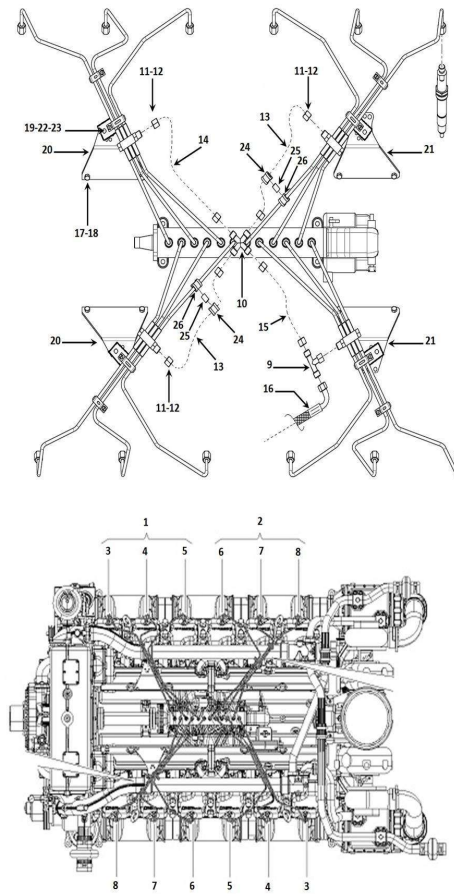


Rep	Reference	Description	Qty	Remarks
1	15551960E	INJECTOR HOLDER ASSEMBLY M26.2	12	
1	15551941J	INJECTOR HOLDER ASSEMBLY	12	Kit containing:
2	15059380R	PUSH ROD	1	Is in N°15551941J
3	15059390C	BOSCH SPRING 2434619047	1	Is in N°15551941J
4	15059400N	INJECTOR RETAINER	1	Is in N°15551941J
5	15059410Z	INJECTOR NUT	1	Is in N°15551941J
6	15059420K	INJECTOR HOLDER NUT	1	Is in N°15551941J
7	15059430W	RETAINING RING	1	Is in N°15551941J
8	15053431A	INJECTOR	1	Is in N°15551941J
8	15053141K	INJECTOR	1	Is in N°15551941J
9	77707750W	COPPER RING	1	Is in N°15551941J
10	13055040L	CALIBRATION WASHER KIT	1	Is in N°15551941J
11	14053660S	HOLLOW SCREW 8X100	1	Is in N°15551941J
12	77707710C	COPPER RING 8,2 12 1	2	Is in N°15551941J
12	77707710C	COPPER RING 8,2 12 1	3	
13	12430650B	HOLLOW SCREW 8X100 DOUBLE	3	
14	15053520X	LEAK FUEL INJ RAMP 12M26.2	2	
15	13625511N	HOSE VC8 VC8 1400	1	
16	15053000G	CONNECTION HOSE L=430	1	
17	14400606H	COLLAR RSGU 1 12 20	1	
-	13055040L	CALIBRATION WASHER KIT	2	

-	15559260P	ROCKER ARM/INJ. GASKET KIT	1
-	15189180D	WRENCH - INJ. POSIT.	-
-	15189220X	WRENCH - INJ. HOLDER	-

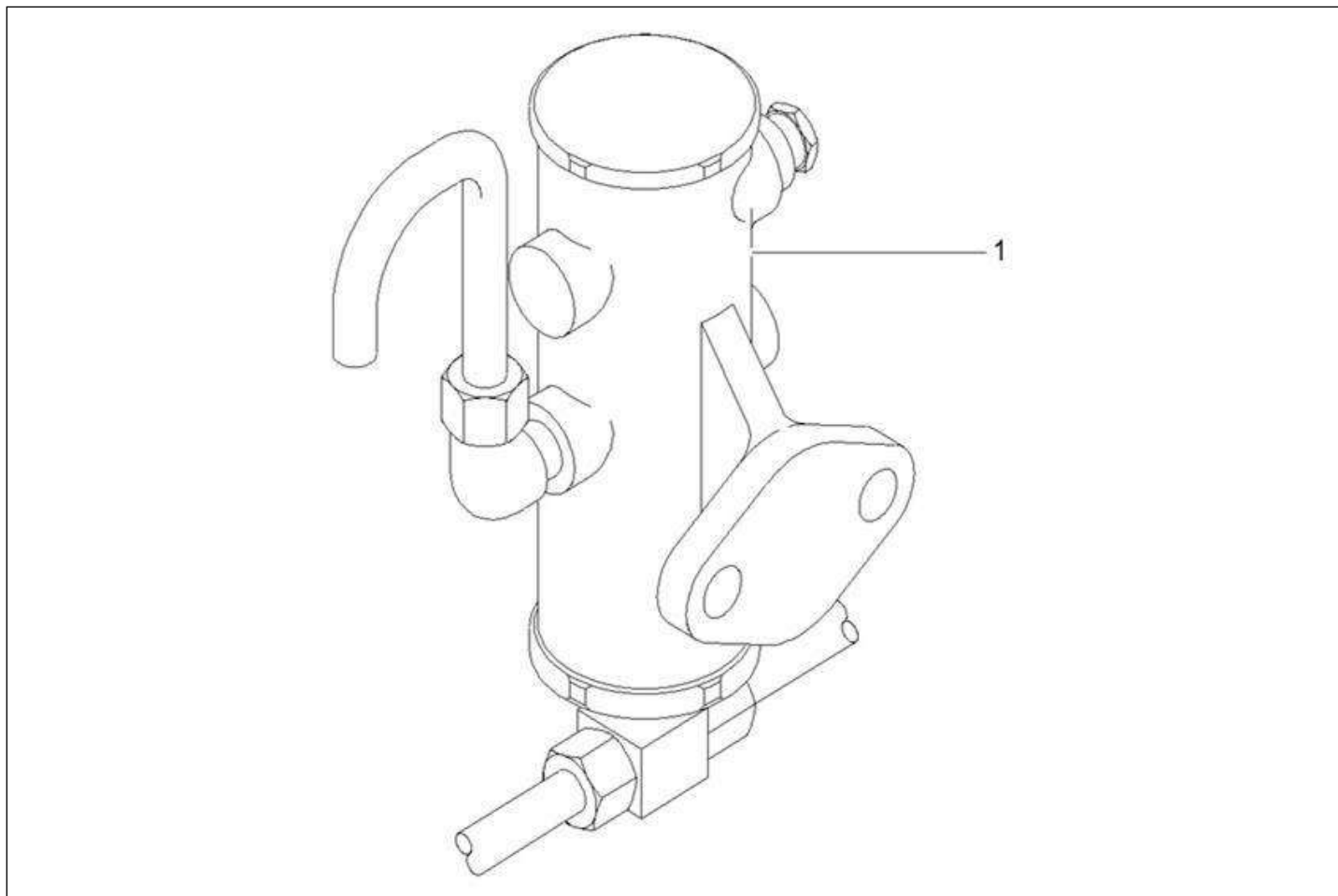


Rep	Reference	Description	Qty	Remarks
1	15053690G	INJECTOR HOLDER CW M26.2	12	Kit containing:
2	14053660S	HOLLOW SCREW 8X100	1	Is in N°15053690G
3	77707710C	COPPER RING 8,2 12 1	2	Is in N°15053690G
3	77707710C	COPPER RING 8,2 12 1	3	
4	12430650B	HOLLOW SCREW 8X100 DOUBLE	3	
5	15053520X	LEAK FUEL INJ RAMP 12M26.2	2	
6	13625511N	HOSE VC8 VC8 1400	1	
7	15053000G	CONNECTION HOSE L=430	1	
8	14400606H	COLLAR RSGU 1 12 20	1	

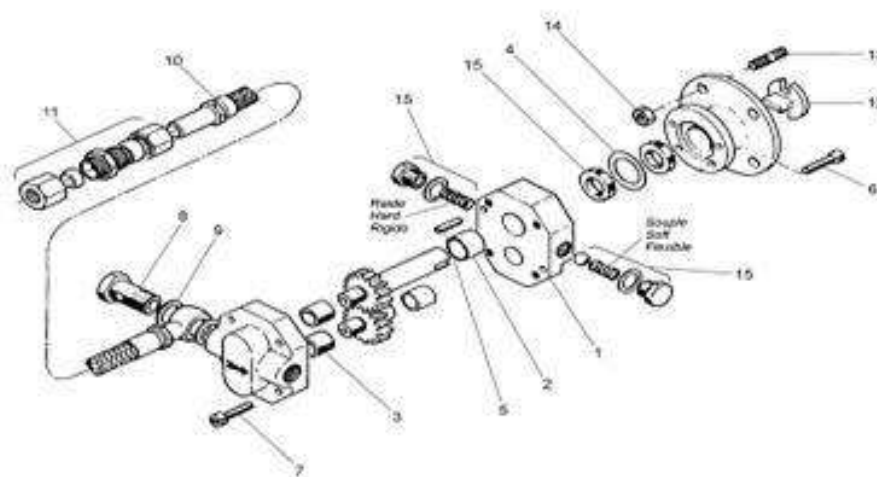


Rep	Reference	Description	Qty	Remarks
1	15559700S	Fuel injection pipes set (rear port / front	2	
2	15559740L	Fuel injection pipes set (front port / rear	2	Kit containing:
3	15559670K	Fuel injection pipe cylinder 1 or 12	1	Is in N°15559740L
4	15559680W	Fuel injection pipe cylinder 2 or 11	1	Is in N°15559740L
5	15559690G	Fuel injection pipe cylinder 3 or 10	1	Is in N°15559740L
6	15559710D	Fuel injection pipe cylinder 4 or 9	1	Is in N°15559740L
7	15559720P	Fuel injection pipe cylinder 5 or 8	1	Is in N°15559740L
8	15559730A	Fuel injection pipe cylinder 6 or 7	1	Is in N°15559740L
9	77719000Z	T union	1	
10	14054930Y	CONNECTION	1	
11	14054420T	DOUBLE-CONE NUT 2A10 16x150	3	
12	14409210K	BICONICAL RING	3	
13	15052721D	DRAIN TUBE	2	
14	15052731P	DRAIN TUBE	1	
15	15052741A	DRAIN TUBE	1	
16	15053060X	HOSE	1	
17	77720830N	WASHER SCHNORR S 8 8,4 1	8	
18	77752020Q	SCREW H8 1.25 20 20	8	
19	77751100Q	SCREW H6 1.00 35 18	4	
20	15051140K	Support plate	2	
21	15053300H	SUPPORT	2	

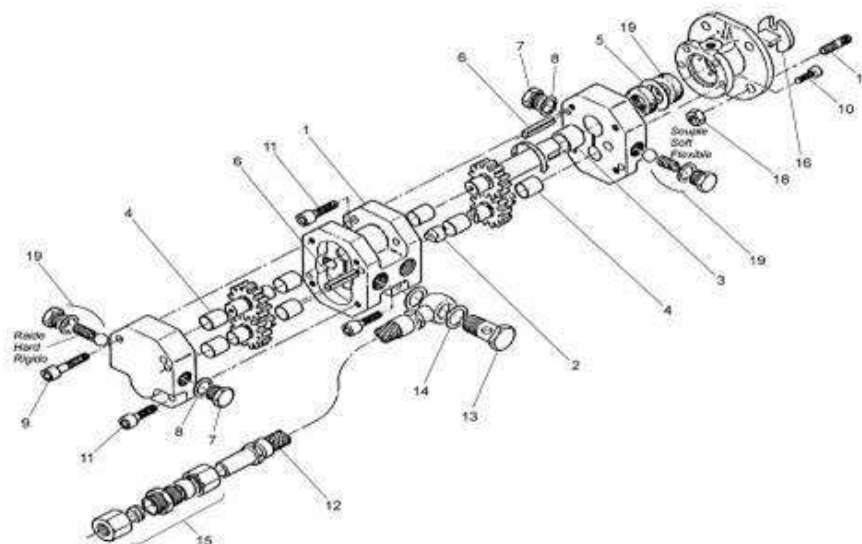
22	77790100G	NUT H 6	4
23	15059510H	WASHER 6,4 12,4 1,5	4
24	14400393B	COLLAR RSGU 1 10 15	2
25	77797200Z	SPACER 6,2 12 18	2
26	14400391Z	COLLAR RSGU 1 8 15	2
-	15052930F	Sticker	1



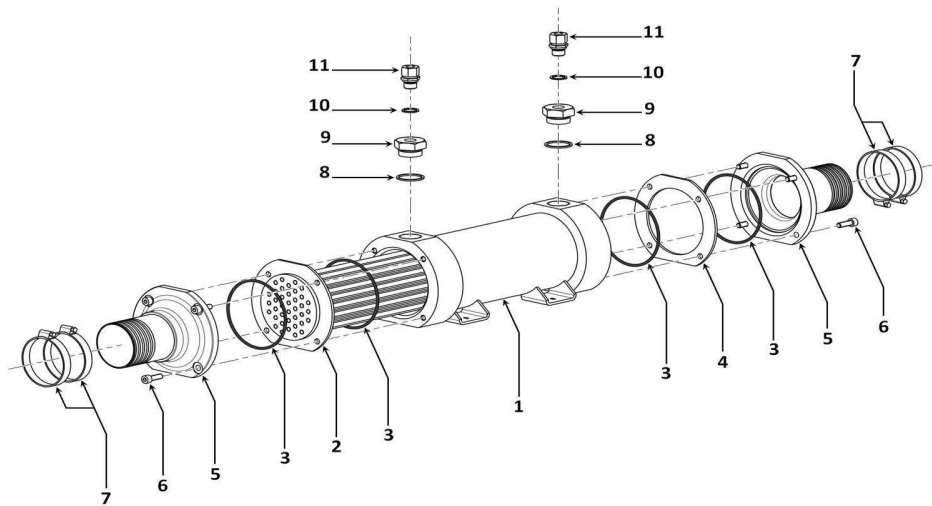
Rep	Reference	Description	Qty	Remarks
1	77728440K	Leak recuperator box	1	
-	77729940Q	BICONICAL RING 1DL8	1	
-	77729950B	NUT	1	
-	77716800H	RUBBER BLOCK	3	
-	77723050B	NUT NYLSTOP M 6 P 08	6	
-	77795460H	WASHER M 6 U 6,2 14 1,2 C	6	
-	77752040M	SCREW H8 1.25 25 25	2	
-	15052570P	Plate	1	
-	77790200Q	NUT H 8	2	
-	15053210K	HOSE	1	



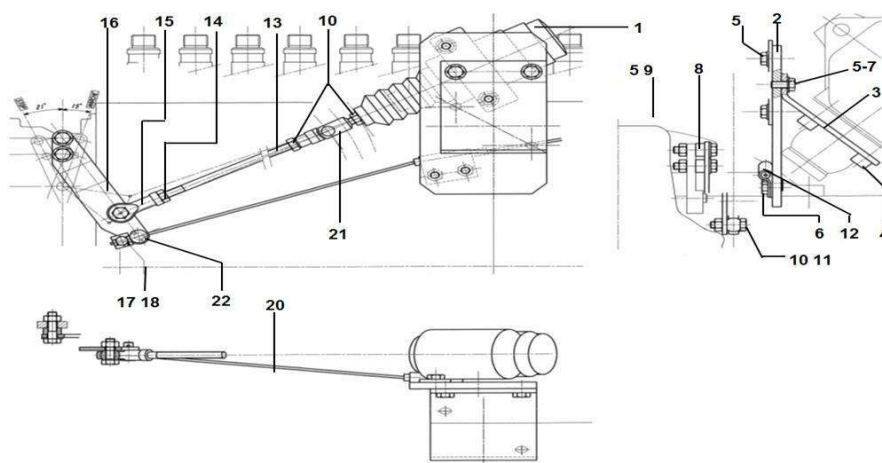
Rep	Reference	Description	Qty	Remarks
1	13521440S	FEED PUMP	1	Kit containing:
2	11213961N	RING 16x18x15 type DU	1	Is in N°13521440S
2	11213960M	CALCAR BEARING 16X20X16*****8071	1	Is in N°13521440S
3	15050200N	RING 12 14 15	3	Is in N°13521440S
4	15050080H	WASHER 18 31 1	1	Is in N°13521440S
5	77707250C	MECA DOWEL PIN 6 X20	2	Is in N°13521440S
6	77751120M	SCREW CHC 6 1.00 16 16	4	Is in N°13521440S
7	77751240S	SCREW CHC 6 1.00 25 25	4	Is in N°13521440S
8	27210720V	HOLLOW SCREW 16X150 DIN7623	2	Is in N°13521440S
9	14400191G	COPPER GASKET 16.2 21,9 1,5	4	Is in N°13521440S
10	15053200Z	FUEL FEED HOSE	1	
11	14400120E	DBLE BIC CONNECTION 12 3A12	1	
12	14052300P	CROSS PIECE	1	
13	77771210Z	STUD 8(10. 05.15)	4	
14	77790200Q	NUT H 8	4	
15	13055870N	FUEL PUMP REPAIR KIT	1	



Rep	Reference	Description	Qty	Remarks
1	15550430R	PPE ALIMENT § TRANSFERT	1	Kit containing:
2	15050740A	SPOKE WHEEL - not supplied anymore	1	Is in N°15550430R
3	11213961N	RING 16x18x15 type DU	1	Is in N°15550430R
4	15050200N	RING 12 14 15	7	Is in N°15550430R
5	15050080H	WASHER 18 31 1	1	Is in N°15550430R
6	77707250C	MECA DOWEL PIN 6 X20	4	Is in N°15550430R
7	15050170F	BORED PLUG 14X150 9	2	Is in N°15550430R
8	77707540S	COPPER RING 14,5 17,9 1,5	2	Is in N°15550430R
9	77751110B	SCREW CHC 6 1.00 40 24	2	Is in N°15550430R
10	77751120M	SCREW CHC 6 1.00 16 16	4	Is in N°15550430R
11	77751240S	SCREW CHC 6 1.00 25 25	6	
12	15050160V	CONNECTION HOSE	3	
13	27210720V	HOLLOW SCREW 16X150 DIN7623	2	
14	14400191G	COPPER GASKET 16.2 21,9 1,5	7	
15	14400120E	DBLE BIC CONNECTION 12 3A12	3	
16	14052300P	CROSS PIECE	1	
17	77771210Z	STUD 8(10. 05.15)	4	
18	77790200Q	NUT H 8	4	
19	13055870N	FUEL PUMP REPAIR KIT	1	

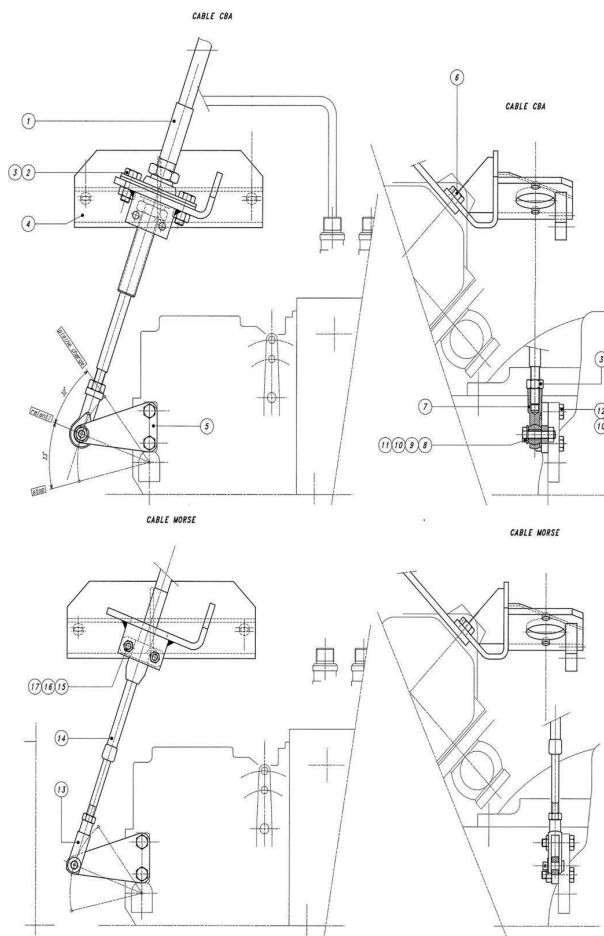


Rep	Reference	Description	Qty	Remarks
1	27681370W	CORPS DE RHR IRB-ERB	1	
2	27681400D	FAISCEAU RHR IRB-ERB	1	
3	77711930P	O RING 110,72 3,53 NITR	4	
4	27681410P	SPACER	1	
5	15551780J	CAP	2	
6	77752240E	SCREW CHC 8 1.25 25 25 12.9	8	
7	77704690V	HOSE CLIP 77- 97	8	
8	77707810L	COPPER GASKET 33,3 39 2	2	
9	77733330A	BORED PLUG 33x200 M18x150	2	
10	77707580L	COPPER RING 18,2 23,9 1,5	2	
11	14400119D	BIC CONNECTION 18x150 4A12	2	

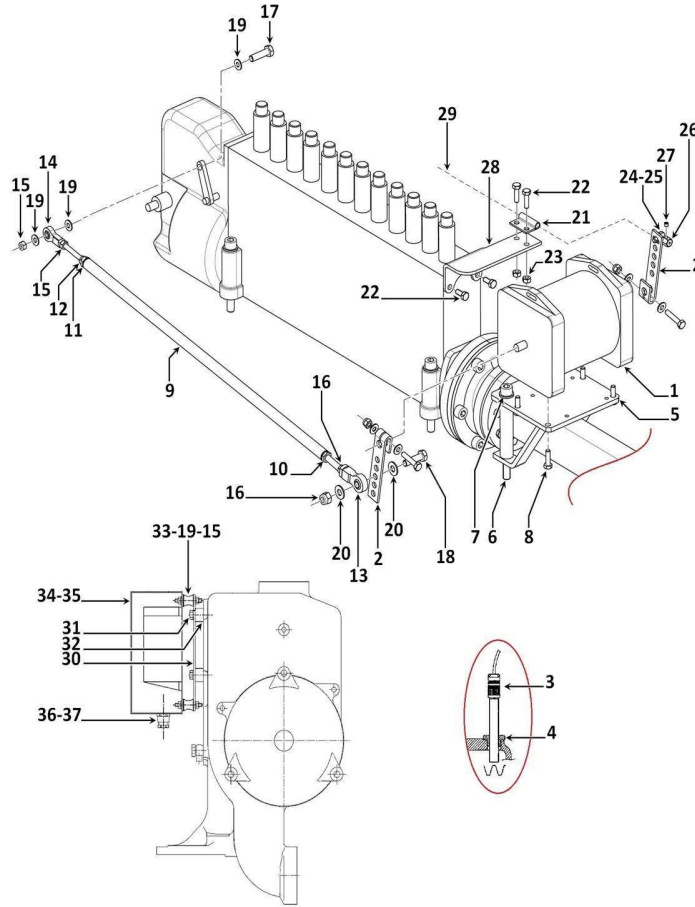


Rep	Reference	Description	Qty	Remarks
1	77727370X	ELECTRO DE STOP	1	
2	15061040W	SUPPORT	1	
3	15061050G	SUPPORT	1	
4	77753300G	SCREW CHC 10 1.50 30 30 12	2	
5	77795460H	WASHER M 6 U 6,2 14 1,2 C	6	
6	77751250D	SCREW H6 1.00 10 10	4	
7	77751210K	SCREW H 6 1.00 12 12	2	
8	14060610X	SPACER 6,2 14 6	2	
9	77751090E	SCREW H 6 1.00 25 18	2	
10	77790100G	NUT H 6	5	
11	77751030P	SCREW H 6 1.00 20 20	1	
12	14060650Q	COLLAR	1	
13	15061090A	DRIVE ROD	1	
14	77791300L	NUT H 6	1	
15	77724540W	END PIECE	1	
16	15061081Q	STOP LEVER EXTENSION 8M26	1	
17	15060480M	CABLE CLAMP	1	
18	77722100T	SPLIT PIN V 2 X20	1	
19	77750100D	SCREW H 5 0.80 10 10	1	
20	14560121T	CABLE	1	
21	16060990Y	CHAPES ASSEMBLEES M6_MAF	1	

22	14060980Z	CABLE CLAMP	1
----	-----------	-------------	---

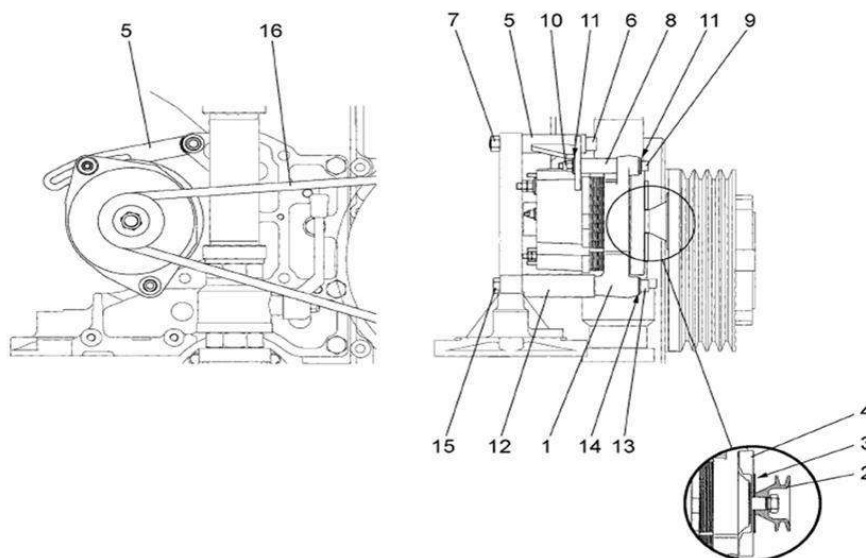


Rep	Reference	Description	Qty	Remarks
2	77752020Q	SCREW H8 1.25 20 20	2	
3	77790200Q	NUT H 8	3	
4	15061060S	SUPPORT	1	
5	15061070D	RALLONGE CDE VITESSE	1	
6	77752040M	SCREW H8 1.25 25 25	2	
7	77724520Z	END PIECE	1	
8	77751040A	SCREW H 6 1.00 30 18	1	
9	77795460H	WASHER M 6 U 6,2 14 1,2 C	1	
10	77790100G	NUT H 6	3	
11	15060070R	RING	1	
12	77751090E	SCREW H 6 1.00 25 18	2	
13	13504770Y	FORK JOINT 40 RF.A 29025	1	
15	77750010F	SCREW H 5 0.80 20 20	2	
16	77790010J	NUT H 5	2	
17	13505680M	COMPLETE COLLAR 43C	1	

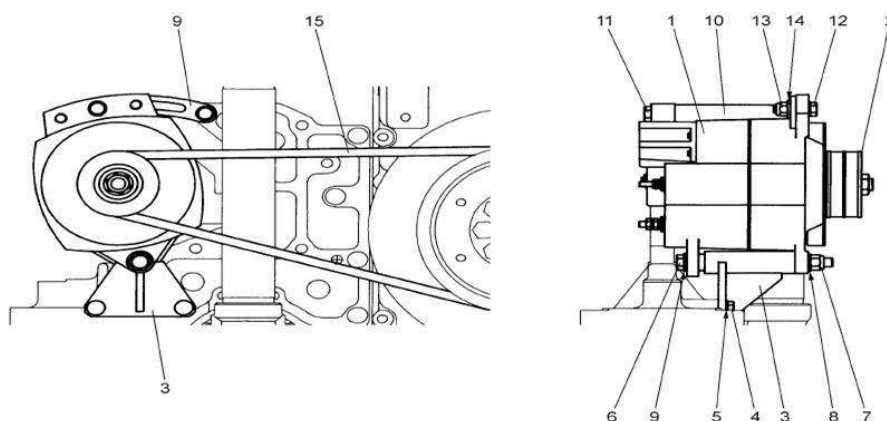


Rep	Reference	Description	Qty	Remarks
1	15551010X	EQUIPT COMMUN ELEC WOODW	1	Kit containing:
1	15551440P	ACTUATOR WOODWARD	1	Is in N°15551010X
2	15551451B	LEVIER WOODWARD TYPE 3979.007	1	Is in N°15551010X
-	15551460L	WIRING W.W. 8924.621	1	Is in N°15551010X
3	15551470X	MAGNETIC SENSOR	1	Is in N°15551010X
4	14012100T	BORED PLUG 24X150 16X150	1	Is in N°15551010X
5	15061100L	ACTUATOR SUPPORT	1	
6	77753460F	SCREW CHC 10 1.50 120 32 12.9	2	
7	27280060P	WASHER 10,5 20 6***3138	2	
8	16021700R	SCREW H 1/4" 3/4	4	
9	15560820K	TRINGLE DE COMMANDE PREP.	1	Kit containing:
10	13520300D	ENDPIECE	1	Is in N°15560820K
11	13536160S	END PIECE	1	Is in N°15560820K
12	77790100G	NUT H 6	1	Is in N°15560820K
13	77724520Z	END PIECE	1	
14	77724530K	END PIECE	1	
15	77790100G	NUT H 6	10	
16	77790200Q	NUT H 8	2	
17	77751090E	SCREW H 6 1.00 25 18	1	
18	77752050Y	SCREW H8 1.25 30 22	1	
19	77795460H	WASHER M 6 U 6,2 14 1,2 C	11	

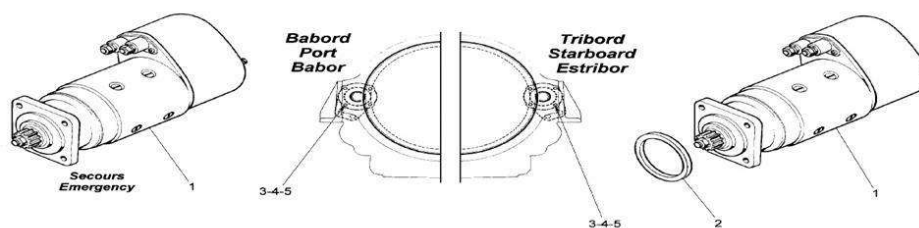
20	77795420P	WASHER Z 8 U 8,2 16 1,5	7	
21	14060650Q	COLLAR	1	
22	77751010S	SCREW H 6 1.00 15 15	4	
23	77790100G	NUT H 6	2	
24	14060980Z	CABLE CLAMP	1	
25	77722100T	SPLIT PIN V 2 X20	1	
26	15060480M	CABLE CLAMP	1	
27	77750030C	SCREW HC BP 5 0.80 6 6	1	
28	15061140E	SUPPORT PLATE	1	
29	15061150Q	POIGNEE COMMANDE	1	
30	15061160B	SUPPORT	1	
31	77752070V	SCREW H 8 1.25 35 22	4	
32	15070110E	SPACER 10,5 22 15	4	
33	77716800H	RUBBER BLOCK	4	
34	15560830W	COFFRET WOODWARD EQUIPE	1	Kit containing:
35	15061170M	COFFRET DE PROTECT REGULAT WW	1	Is in N°15560830W
36	15061180Y	PRESSE ETOUPE D=9P	4	Is in N°15560830W
37	15061190J	NUT	4	Is in N°15560830W
-	15551051R	REGULATEUR DE VITESSE	1	Is in N°15560830W
-	77750020R	SCREW H 5 0.80 12 12	4	Is in N°15560830W
-	77790010J	NUT H 5	4	Is in N°15560830W
-	77795660A	WASHER M 5 U 5,2 12 1	4	Is in N°15560830W



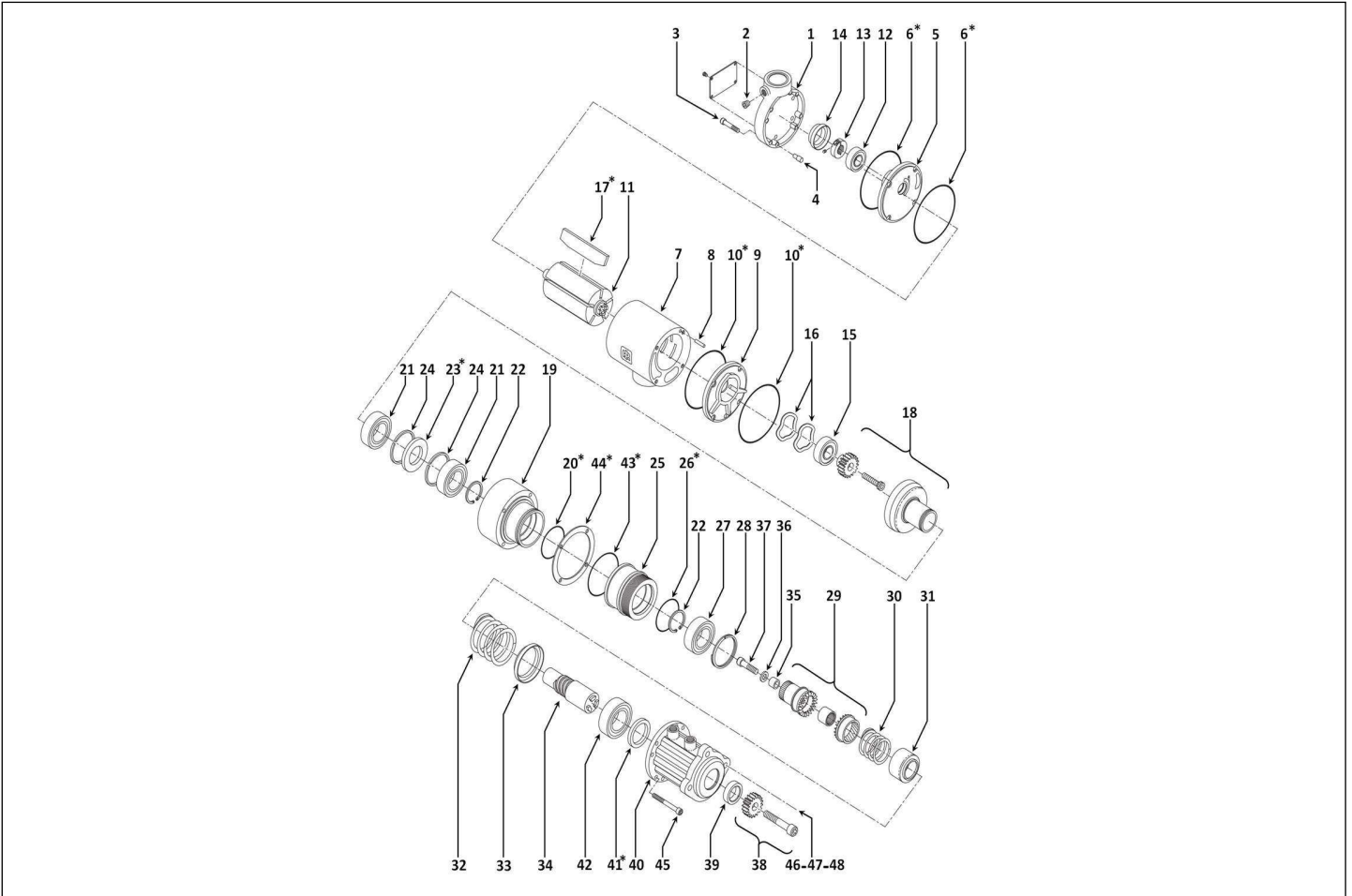
Rep	Reference	Description	Qty	Remarks
1	15570330X	ALTERNATOR BOSCH 28V_55A PREPA	1	Kit containing:
2	15070330T	PULLEY 1G/SPA_DIA.70	1	Is in N°15570330X
3	77727320S	WASHER	1	Is in N°15570330X
4	77727300W	VENTILATEUR SH TOLE	1	Is in N°15570330X
-	77727970Z	PROTECTEUR BORNES ALTERNATEUR	3	Is in N°15570330X
-	15070310X	SPACER 11 14 50 ALT	1	Is in N°15570330X
5	15070260S	BELT TIGHTENER ALTER.M26	1	
6	77754470D	SCREW CHC 12 1.75 110 36 12.9	1	
7	77790400H	NUT H	1	
8	15070251H	SPACER 8,5 25 42	1	
9	77752610G	SCREW CHC 8 1.25 95 28	1	
10	77723060M	NUT NYLSTOP	1	
11	13521430G	WASHER 8,25 22 3	1	
12	15070241X	ALTERNATOR SPACER	1	
13	77753530G	SCREW CHC 10 1.50 70 32	1	
14	77795530J	WASHER M 10 U 10,2 22 2	1	
15	77754230S	SCREW CHC 12 1.75 45 45	1	
16	77705660Z	BELT SPAX 1360	1	



Rep	Reference	Description	Qty	Remarks
1	77726780F	ALTERNATOR 175A PREPARED "M26"	1	Kit containing:
2	15070360B	PULLEY - ALTERNATOR175A D71	1	Is in N°77726780F
-	77797260P	WASHER 17 28 6	1	Is in N°77726780F
3	15070270D	ALTERNATOR SUPPORT	1	
4	77753020C	SCREW H 10 1.50 25 25	3	
5	77795580N	WASHER Z 10 U 10,2 20 2 CB	4	
6	77754440W	SCREW H 12 1.75 160 36	1	
7	77723110R	NUT NYLSTOP M12 P 10	1	
8	77795430A	WASHER Z 12 U 12,5 24 2,5 CB	2	
9	15070280P	BELT TENSIONER	1	
10	15070290A	SPACER	1	
11	77754430K	SCREW H 12 1.75 45 30	1	
12	77753050K	SCREW H 10 1.50 40 26	1	
13	11236670X	WASHER 10,25 25 3	1	
14	14400122G	NYLSTOP NUT M10 P 10	1	
15	77705790Q	BELT SPAX 1382	2	

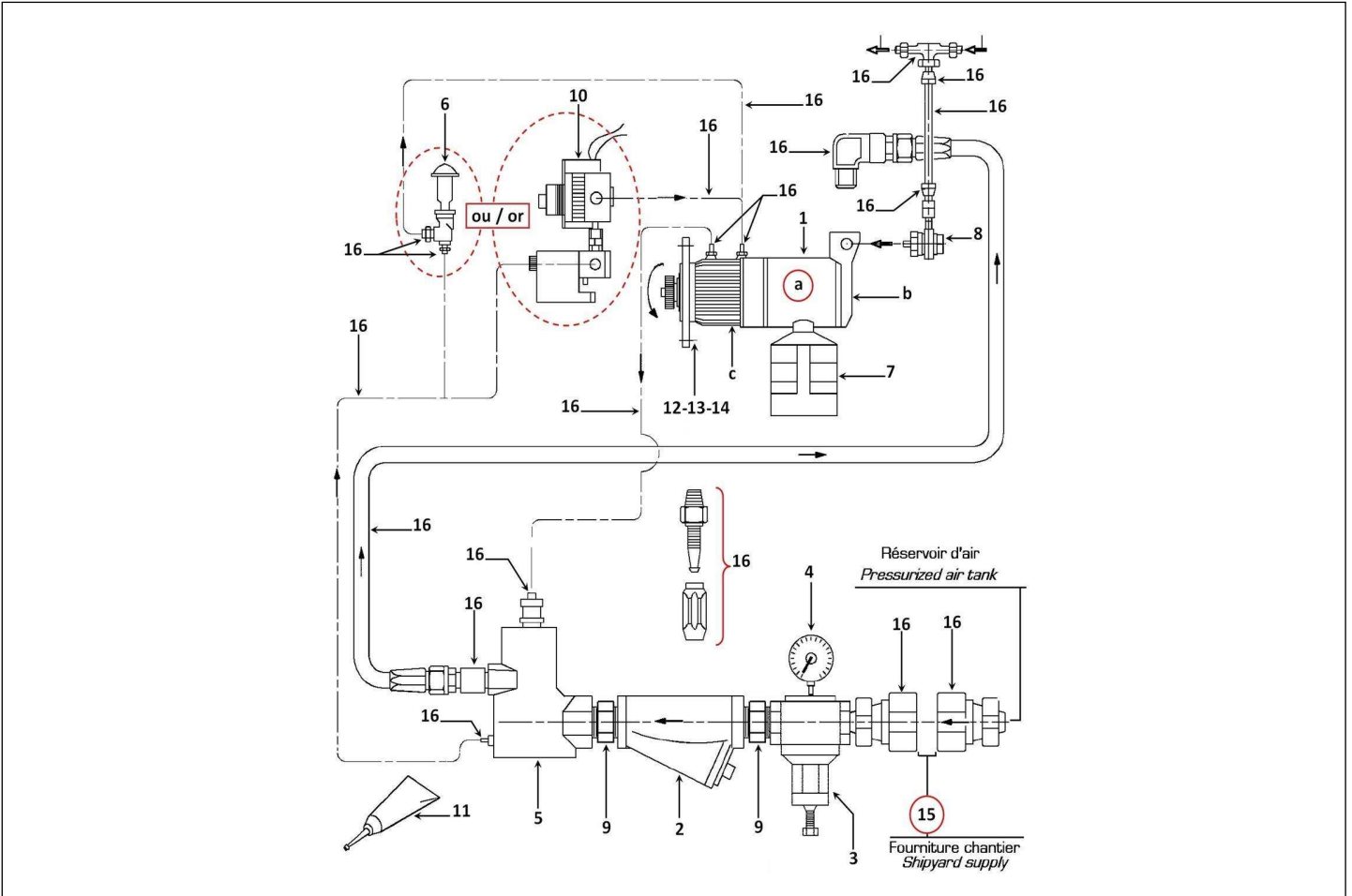


Rep	Reference	Description	Qty	Remarks
1	77726640D	STARTER QB 24V 9KW	1	
2	15070120Q	RING	1	
3	77772080V	STUD 10(15. 10.20)	3	
4	77790300Z	NUT H 10	3	
5	77720790V	WASHER SCHNORR S 10 10,5 1	3	

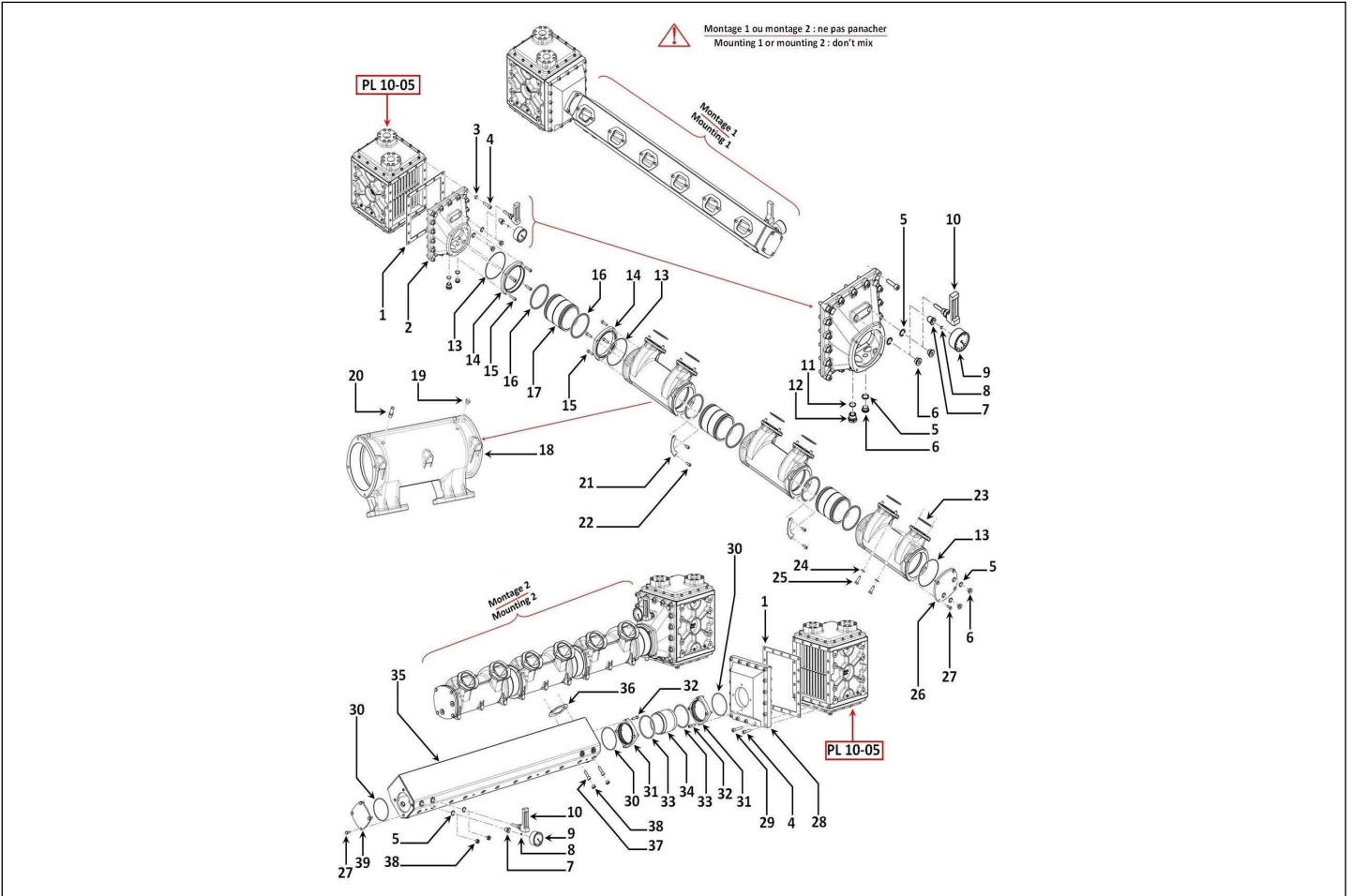


Rep	Reference	Description	Qty	Remarks
-	77728170R	STARTER INGERS SS350 GE01 R29	1	Kit containing:
1	13076210X	CARTER AR MOTEUR SS350	1	Is in N°77728170R / Kit containing:
2	13076220H	PLUG 3/8	2	Is in N°77728170R & in N°13076210X
3	13076230T	SCREW	4	Is in N°77728170R
4	13076240E	PLUG	4	Is in N°77728170R
5	13076180P	REAR FLANGE SS350	1	Is in N°77728170R
7	13076070V	CYLINDER SS350	1	*
8	13076250Q	CYLINDRIC DOWEL PIN SS350	4	Is in N°77728170R
9	13076170D	FRONT FLANGE SS350	1	*
11	13075990H	ROTOR SS350	1	*
12	13075960A	BALL BEARING 20 42 12	1	*
13	13075970L	NUT	1	*
14	13076260B	COVER	1	Is in N°77728170R
15	13076020Q	FRONT BEARING 24 52 15	1	*
16	13076190A	WASHER	2	Is in N°77728170R
17	13076000T	JEU DE 5 PALETTE SS350	1	*
18	13075800B	KIT PIGNON/ROUE/VIS SS350	1	Is in N°77728170R
19	13076270M	GEAR BOX HOUSING SS350	1	Is in N°77728170R
21	13076030B	BALL JOINT BEARING 40 80 23	2	*
22	13076280Y	CLIP	2	Is in N°77728170R
24	13076290J	SNAP RING	2	*

25	13075940D	PISTON SS350	1	*	Is in N°77728170R
27	13076040M	PISTON BEARING	1	*	Is in N°77728170R
28	13076300V	CLIP	1	*	Is in N°77728170R
29	13075790Q	CLUTCH	1	*	Is in N°77728170R
30	13076310F	SPRING	1		Is in N°77728170R
31	13076320R	SPRING COVER SS350	1	*	Is in N°77728170R
32	13076330C	PISTON RETURN SPRING SS350	1		Is in N°77728170R
33	13076340N	SUPPORT	1		Is in N°77728170R
34	13075780E	PINION SHAFT	1	*	Is in N°77728170R
35	13076200L	SPACER SS350	1		Is in N°77728170R
36	13076350Z	WASHER SS350	1		Is in N°77728170R
37	13076360K	SCREW SS350	1		Is in N°77728170R
38	13075630R	KIT PIGNON/VIS SS350	1	*	Is in N°77728170R
39	13075980X	RING SS350	1	*	Is in N°77728170R
40	13075930S	FRONT COVER SS350	1	*	Is in N°77728170R
42	13076050Y	SHAFT BEARING SS350	1	*	Is in N°77728170R
45	13076370W	SCREW	4		Is in N°77728170R
*	13075620F	REPAIR KIT SS350	1	*	
46	77772080V	STUD 10(15. 10.20)	3		
47	77720790V	WASHER SCHNORR S 10 10,5 1	3		
48	77790300Z	NUT H 10	3		

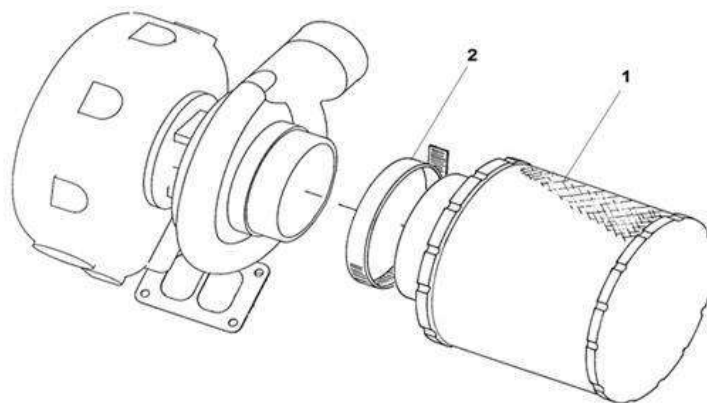


Rep	Reference	Description	Qty	Remarks
a	13076070V	CYLINDER SS350	1	*
b	13076210X	CARTER AR MOTEUR SS350	1	
c	13075930S	FRONT COVER SS350	1	*
1	77728170R	STARTER INGERS SS350 GE01 R29	1	
2	77728000G	FILTER 1"1/2	1	
3	77728130Y	PRESSURE REDUCING VALVE 30-10	1	
4	13075580M	PRESSURE GAUGE BRASS 1/4"	1	*
5	77728030P	VANNE MAITRESSE SRV 125	1	
6	77728040A	VALVE PILOTE	1	
7	77728141K	EXHAUST SILENCER. SS350-A674	1	
8	77728010S	GRAISSEUR 1"1/2	1	
9	13075600J	NIPPLE 1 " 1/4 NPT -1 " 1/4 NP	2	
10	C3224.011	ELECTROVANNE ST400 "INGERSOLL"	1	
11	77726621H	GASKET	1	
12	7772080V	STUD 10(15. 10.20)	3	
13	77720790V	WASHER SCHNORR S 10 10,5 1	3	
14	77790300Z	NUT H 10	3	
16	77732410A	LOT DE FLEXIBLES ET RACCORDS	1	

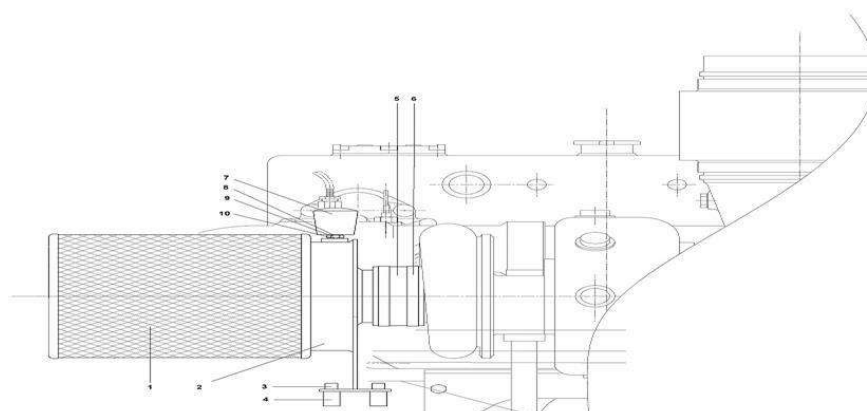


Rep	Reference	Description	Qty	Remarks
1	15102391S	CAP GASKET	4	
28	15102370V	FRONT CAP	2	
4	77753290W	SCREW CHC 10 1.50 45 32	30	
29	77753810L	SCREW CHC 10 1.50 55 32 12.9	6	
30	27551720X	O RING 101 3 NITR	6	
31	15102410N	FLANGE	4	
32	77752430L	SCREW CHC 8 1.25 35 35 12.9	16	
33	77712050V	O RING 100 5 VITO	4	
34	15102430K	TUBULURE LIAISON RAS/COLL ADM	2	
35	X6209.155	COLLECTEUR MECANO-SOUDE INOX	2	
36	15102820J	GASKET	12	
37	77753190M	SCREW CHC 10 1.50 35 35 12.9	24	
38	11114710G	CONICAL PLUG 18X150 BRASS	36	
5	77707580L	COPPER RING 18,2 23,9 1,5	10	
7	13643120D	BORED PLUG 18X150 1/4 +02	2	
8	77707770S	COPPER GASKET 5 9 1	2	
9	77716250K	MANO AIR 0-2,5B 1/4G	2	
10	14110070H	THERMOMETRE 0-200D 18X150	2	
27	77752020Q	SCREW H8 1.25 20 20	8	
39	X6209.020	BLIND FLANGE	2	
1	15102391S	CAP GASKET	4	

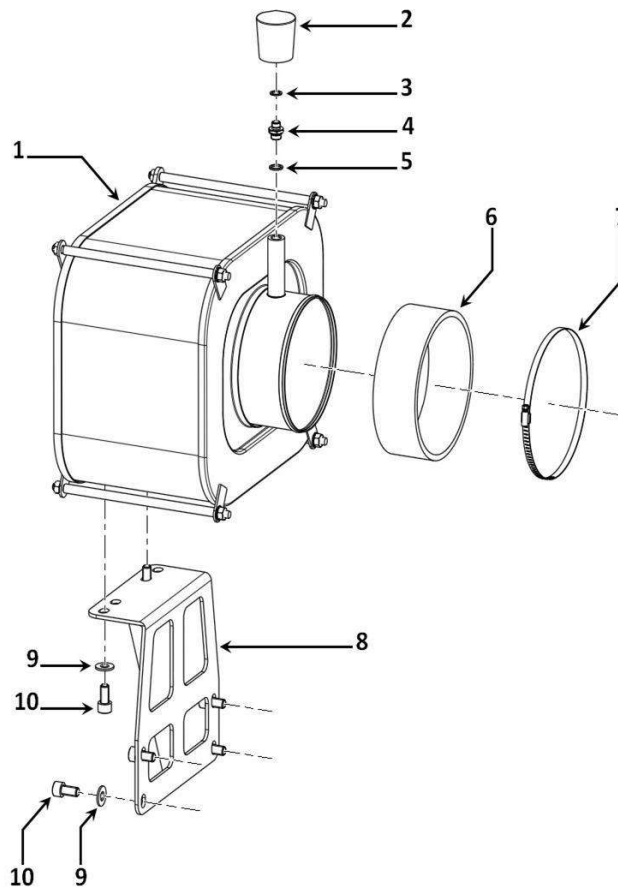
2	15102371W	FRONT CAP	2
3	77795580N	WASHER Z 10 U 10,2 20 2 CB	36
4	77753290W	SCREW CHC 10 1.50 45 32	36
5	77707580L	COPPER RING 18,2 23,9 1,5	10
6	14400078J	PLUG 18X150 STEEL	6
7	13643120D	BORED PLUG 18X150 1/4 +02	2
8	77707770S	COPPER GASKET 5 9 1	2
9	77716250K	MANO AIR 0-2,5B 1/4G	2
10	14110070H	THERMOMETRE 0-200D 18X150	2
11	16185460R	O RING	2
13	77712090N	O RING 134.5 3 VITO	6
14	15102411P	FLANGE	4
15	77752250Q	SCREW CHC 8 1.25 30 30 12.9	16
16	77712080C	O RING 113,7 6.99 VITO	12
17	15080790N	INTAKE SLEEVE	6
18	15080771S	INTAKE MANIFOLD	6
19	15102221H	TUBE EVAC CONDENSATION M8 D8	6
20	14400475Q	PLUG 8X1,25 7 STAINLESS	6
21	15080810K	THRUST BEARING	4
22	77752190A	SCREW CHC 8 1.25 16 16	8
23	77712070R	O RING 79 3 VITO	12
24	77795580N	WASHER Z 10 U 10,2 20 2 CB	24
25	77753030N	SCREW H 10 1.50 30 30	24
26	15080800Z	PLUG	2
27	77752020Q	SCREW H8 1.25 20 20	8
-	15580140K	INLET MANIFOLD GASKET KIT	2



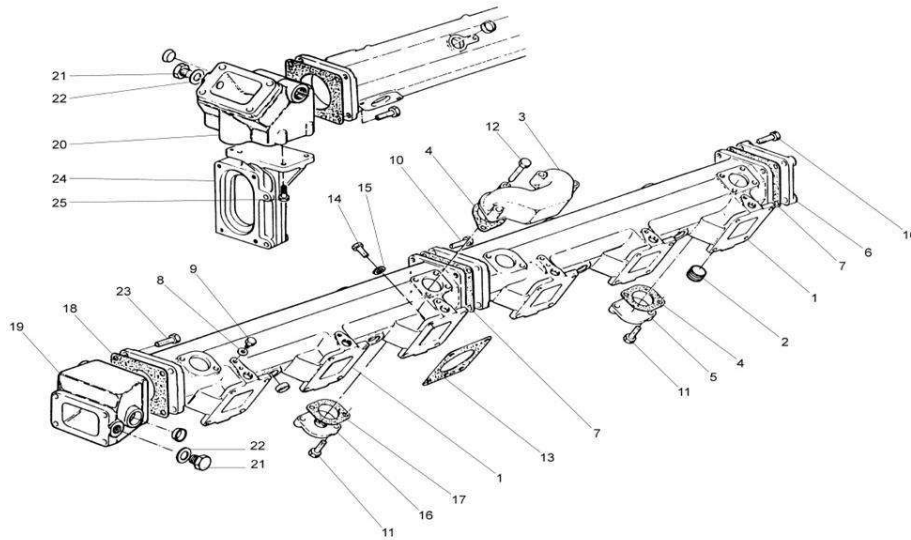
Rep	Reference	Description	Qty	Remarks
1	16081180T	AIR FILTER	1	
2	77704860E	HOSE CLIP 152-172	2	



Rep	Reference	Description	Qty	Remarks
1	15080381T	AIR FILTER M26	1	
2	15080960Y	AIR FILTER SUPPORT	1	
3	77754610F	SCREW CHC 12 1.75 70 30	2	
4	15110521E	SPACER 12,5 20 35	2	
5	15080880L	CONNECTION HOSE	1	
6	77704860E	HOSE CLIP 152-172	2	
7	77728920B	AIR FILTER CLOGGING SENSOR	1	
8	77707510K	COPPER RING 10.2 14 1	1	
9	14400581F	NIPPLE 10x100 6JC-12x100 6JC	1	
10	77707520W	COPPER RING 12,2 15,9 1,5	1	

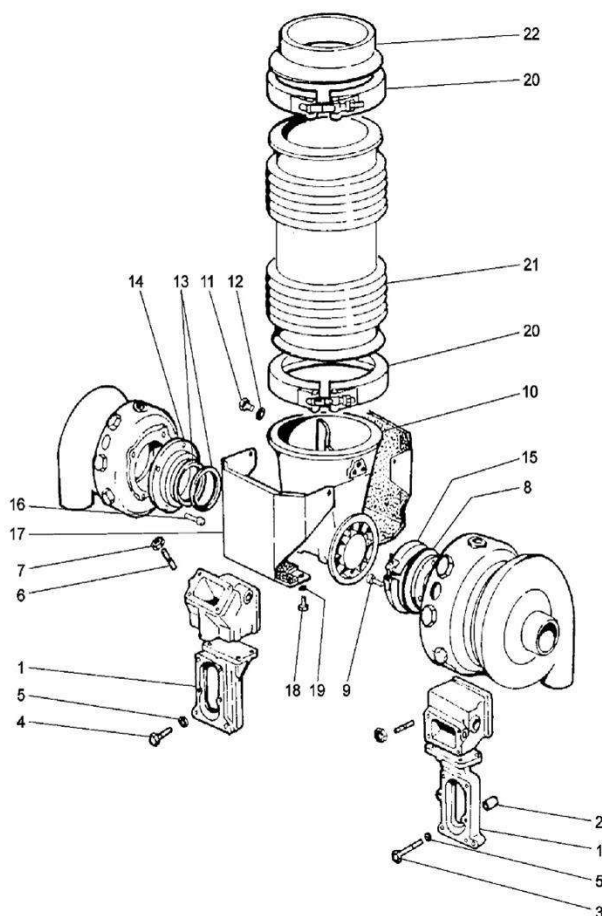


Rep	Reference	Description	Qty	Remarks
-	15580150W	KIT PR FILTRE A AIR CARRE	1	Kit containing:
1	15080860P	AIR FILTER 12M26.2	2	Is in N°15580150W
2	77728920B	AIR FILTER CLOGGING SENSOR	2	Is in N°15580150W
3	77707510K	COPPER RING 10.2 14 1	2	Is in N°15580150W
4	14400581F	NIPPLE 10x100 6JC-12x100 6JC	2	Is in N°15580150W
5	77707520W	COPPER RING 12,2 15,9 1,5	2	Is in N°15580150W
6	15080880L	CONNECTION HOSE	2	Is in N°15580150W
7	77704860E	HOSE CLIP 152-172	4	Is in N°15580150W
8	15080870A	SUPPORT	2	Is in N°15580150W
9	77795530J	WASHER M 10 U 10,2 22 2	12	Is in N°15580150W
10	77753270Z	SCREW CHC 10 1.50 20 20	12	Is in N°15580150W



Rep	Reference	Description	Qty	Remarks
-	15590171N	EXHAUST MANIFOLD	1	
-	15590181Z	EXHAUST MANIFOLD	1	Kit containing:
1	15090371C	EXHAUST MANIFOLD ELEMENT	2	Is in N°15590181Z / Kit containing:
-	77701580P	PLUG 36 STAINLESS	6	Is in N°15590181Z & in N°15090371C
2	11117950D	CONICAL PLUG 24X150	16	Is in N°15590181Z
3	15030601K	BRIDGE WATER CIRCULATION	1	Is in N°15590181Z
4	15032880M	OVAL GASKET 50x70x72 ELASTOMER	5	Is in N°15590181Z
5	15032900J	OVAL FLANGE E 72 FULL STEEL	3	Is in N°15590181Z
6	15090380M	FOND COLLECT ECHAP REF	1	Is in N°15590181Z
7	15090391Z	EXHAUST MANIFOLD GASKET ELASTO	2	Is in N°15590181Z
8	77707710C	COPPER RING 8,2 12 1	4	Is in N°15590181Z
9	77752210X	SCREW H 8 1.25 10 10	4	Is in N°15590181Z
10	77753040Z	SCREW H 10 1.50 35 35	8	Is in N°15590181Z
11	77752040M	SCREW H8 1.25 25 25	8	Is in N°15590181Z
12	77752100C	SCREW H 8 1.25 45 22	4	Is in N°15590181Z
13	15090410V	GASKET	12	
14	77753030N	SCREW H 10 1.50 30 30	48	
15	77795580N	WASHER Z 10 U 10,2 20 2 CB	48	
16	15090910N	OVAL FLANGE E 72 M26X1,50 STEE	2	
17	15032880M	OVAL GASKET 50x70x72 ELASTOMER	2	
18	15090391Z	EXHAUST MANIFOLD GASKET ELASTO	2	

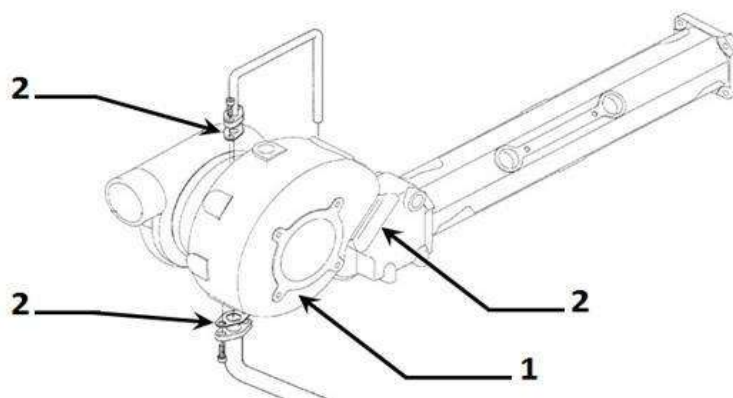
19	15100950B	SUPPORT	1	Kit containing:
-	77701610X	CUP PLUG 28 STAINLESS	1	Is in N°15100950B
20	15100960M	SUPPORT	1	Kit containing:
-	77701610X	CUP PLUG 28 STAINLESS	1	Is in N°15100960M
21	14400234D	PLUG 14X150	2	
22	77707540S	COPPER RING 14,5 17,9 1,5	2	
23	77753040Z	SCREW H 10 1.50 35 35	8	
24	13633840R	SUPPORT	2	
25	77753030N	SCREW H 10 1.50 30 30	8	
-	15599030S	EXHAUST MANIFOLD GASKET KIT	1	



Rep	Reference	Description	Qty	Remarks
1	13633840R	SUPPORT	2	
2	13633080Q	SPACER 10,5 30 30	3	
3	77753130X	SCREW H 10 1.50 90 26	3	
4	77753090D	SCREW H 10 1.50 60 26	3	
5	77720790V	WASHER SCHNORR S 10 10,5 1	6	
6	77772250E	STUD 10(15. 15.20)	8	
7	14400122G	NYLSTOP NUT M10 P 10	8	
8	15101740K	FLANGE	1	
9	77753170Q	SCREW CHC 10 1.50 25 25	4	
10	15101730Z	CULOTTE D'ECHAPPEMENT	1	
11	11230560F	PLUG 18X150 BRASS	2	
12	77707580L	COPPER RING 18,2 23,9 1,5	2	
13	15101780D	RING	2	
14	15101750W	ROUND FLANGE 130 164 18	1	
15	15101790P	HOSE CLIP	1	
16	77753300G	SCREW CHC 10 1.50 30 30 12	4	
17	15101810L	ECRAN PROTECT CULOTTE ECH	2	
18	77752340N	SCREW H 8 1.25 16 16 STAINLESS	8	
19	77795650P	WASHER M 8 U 8,2 18 1,5 I	8	
20	15101800A	HOSE CLIP	2	
21	15101900J	EXHAUST COMPENSATOR	1	

22	15101770S	CONTRE BRIDE A SOUDER 273	1
----	-----------	---------------------------	---

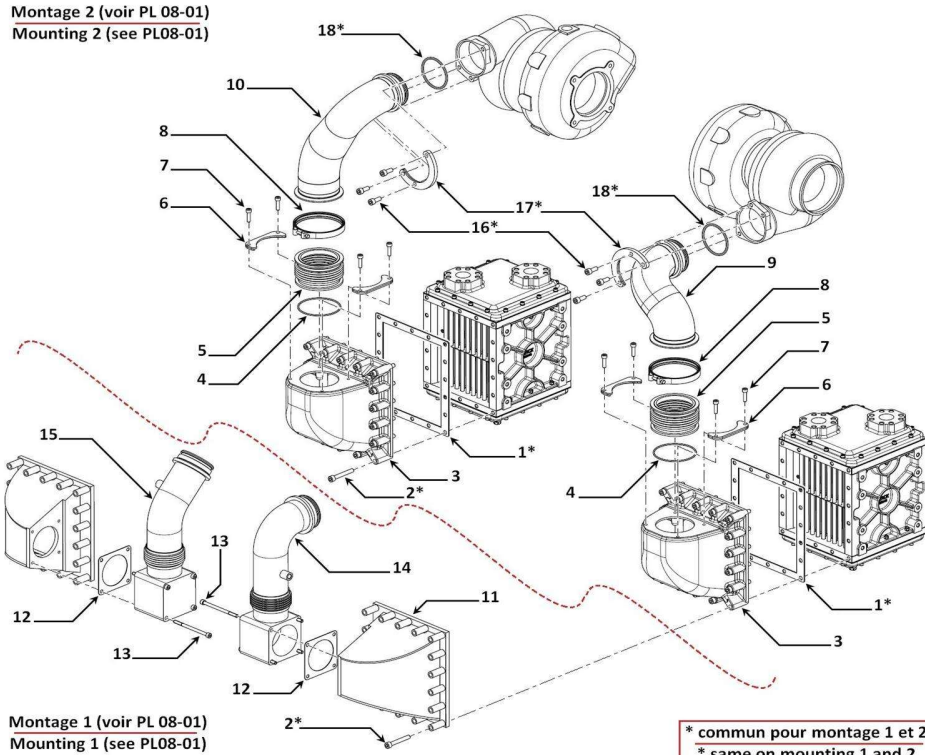
Le turbo compresseur babord et tribord doivent avoir la même référence
The portside and the starboard turbo charger need to have the parts number



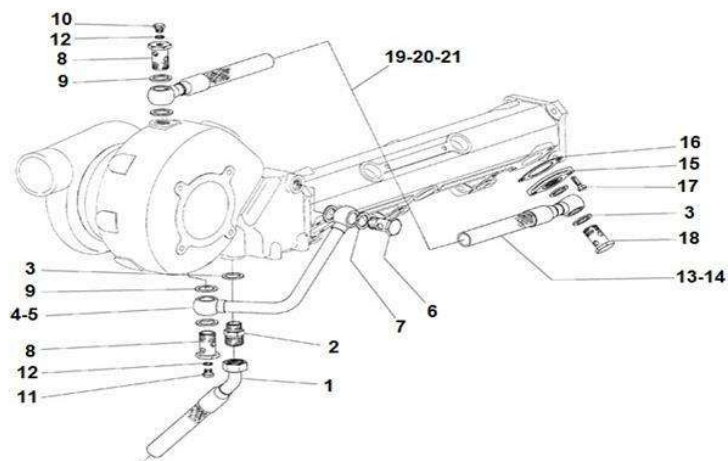
Rep	Reference	Description	Qty	Remarks
1	15102780Q	TURBO CHARGER CW 6-12M26.2	2	
1	15600360N	TURBO CHARGER S500 W M26.2	2	
2	15609400P	TURBO GASKET KIT	2	
-	15109340W	TC MAINTENANCE KIT 6-8-12M26.2	2	

10 - Turbocharging

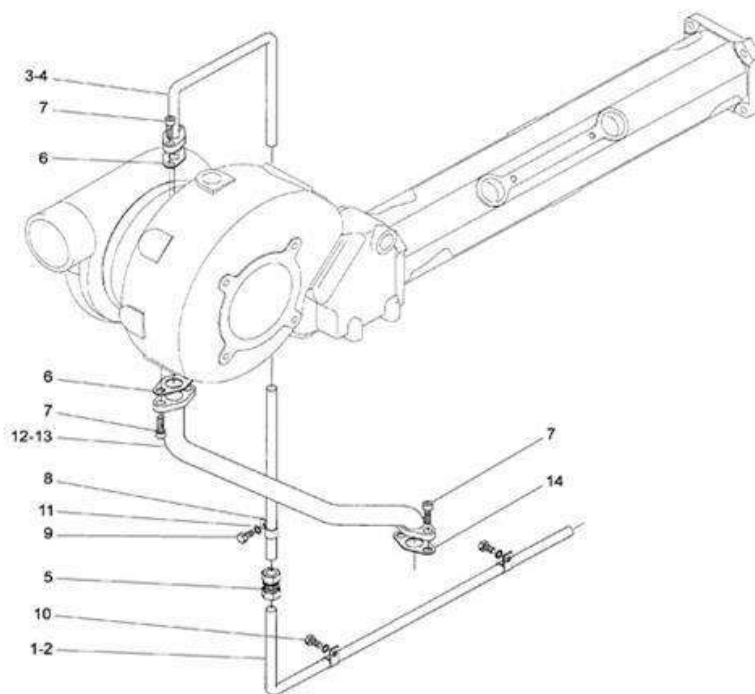
TURBOCHARGER AIR CONNECTION



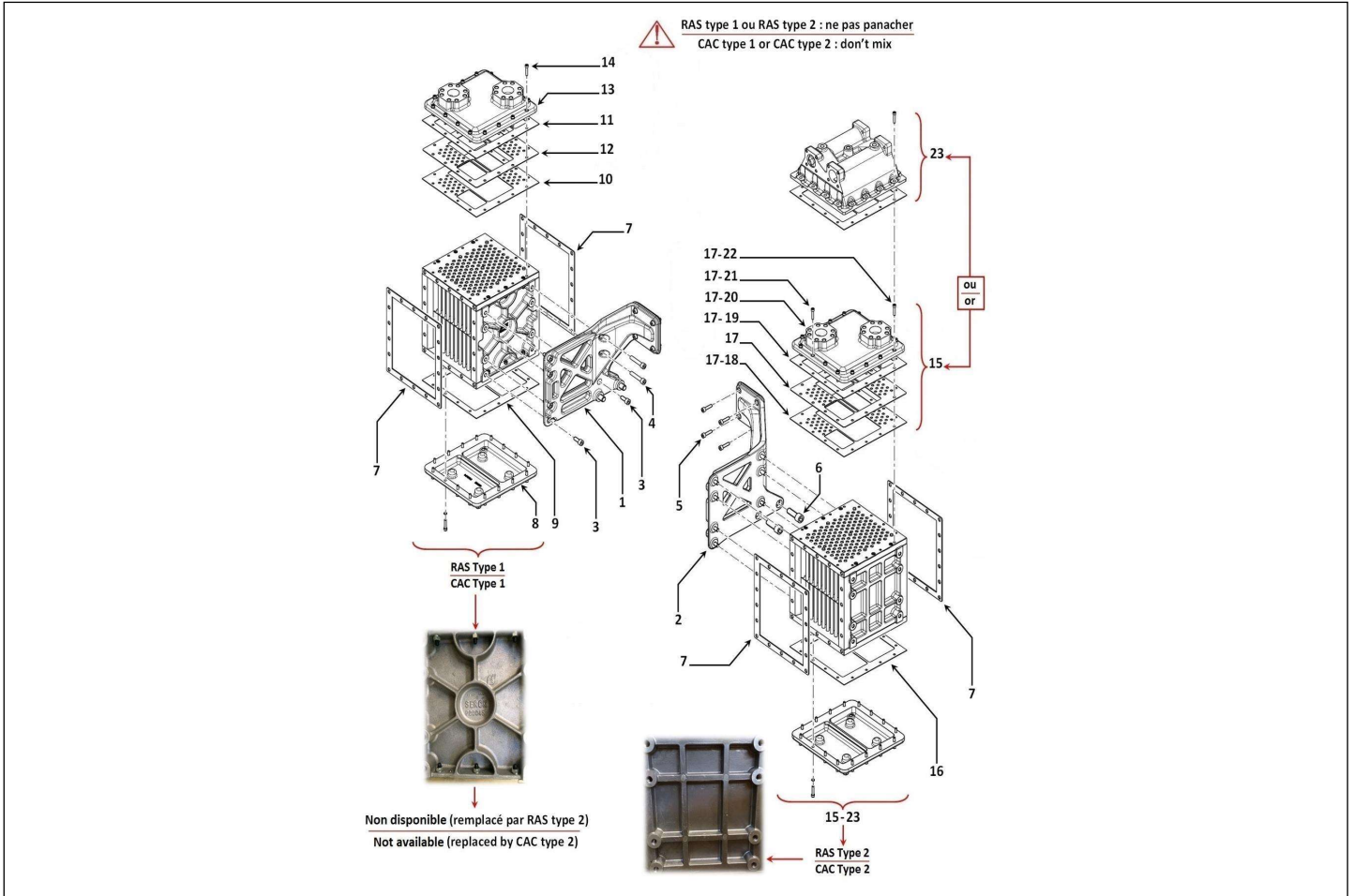
Rep	Reference	Description	Qty	Remarks
1*	15102391S	CAP GASKET	4	
2*	77753530G	SCREW CHC 10 1.50 70 32	36	
16*	77753780D	SCREW CHC 10 1.50 25 25	6	
17*	15102460S	TUBE FLANGE	2	
18*	13633730X	O RING 81,9 5,33 VITO	2	
11	15102380F	REAR CAP	2	
12	15100650A	GASKET	2	
13	77752560C	SCREW CHC 8 1.25 120 28	8	
14	15102350Y	TUBULURE TC S500W/RAS TRIB	1	
15	15102360J	TUBULURE TC S500W/RAS BAB	1	
3	15102381G	REAR CAP	2	
4	16010140B	O RING 104,37 3,53 NITR	2	
5	15102660K	EXHAUST COMPENSATOR 6-12M26.2	4	
6	15102700D	FLANGE	4	
7	77752700E	SCREW CHC 8 1.25 30 12	8	
8	15102690S	HOSE CLIP	2	
9	15102351Z	##	1	
10	15102361K	##	1	



Rep	Reference	Description	Qty	Remarks
1	77717670D	FLEXIBLE	1	
2	77729680H	RAC BIC CPL 26x150 4A22	2	
3	77707780D	COPPER RING 26.3 31,9 2	8	
4	15101510K	WATER INLET PIPE	1	
5	15101500Z	WATER INLET PIPE	1	
6	77720220A	HOLLOW SCREW 25X150	2	
7	77707840T	COPPER GASKET 25,3 32,9 2	4	
8	15101402S	HOLLOW SCREW 1"1/16 12X150	4	
9	14400462B	COPPER GASKET 27,3 35 2	8	
10	14040940R	PLUG 12X150 STEEL	2	
11	13636800J	DRAIN PLUG 12X150s	2	
12	77707520W	COPPER RING 12,2 15,9 1,5	4	
13	77732070F	FLEXIBLE	1	
14	77732080R	FLEXIBLE	1	
15	15090910N	OVAL FLANGE E 72 M26X1,50 STEE	2	
16	15032880M	OVAL GASKET 50x70x72 ELASTOMER	2	
17	77752040M	SCREW H8 1.25 25 25	4	
18	77720280Q	HOLLOW SCREW 26X150	2	
19	14400649E	COLLAR RSGU 1 30 20	2	
20	77752210X	SCREW H 8 1.25 10 10	2	
21	77720830N	WASHER SCHNORR S 8 8,4 1	2	



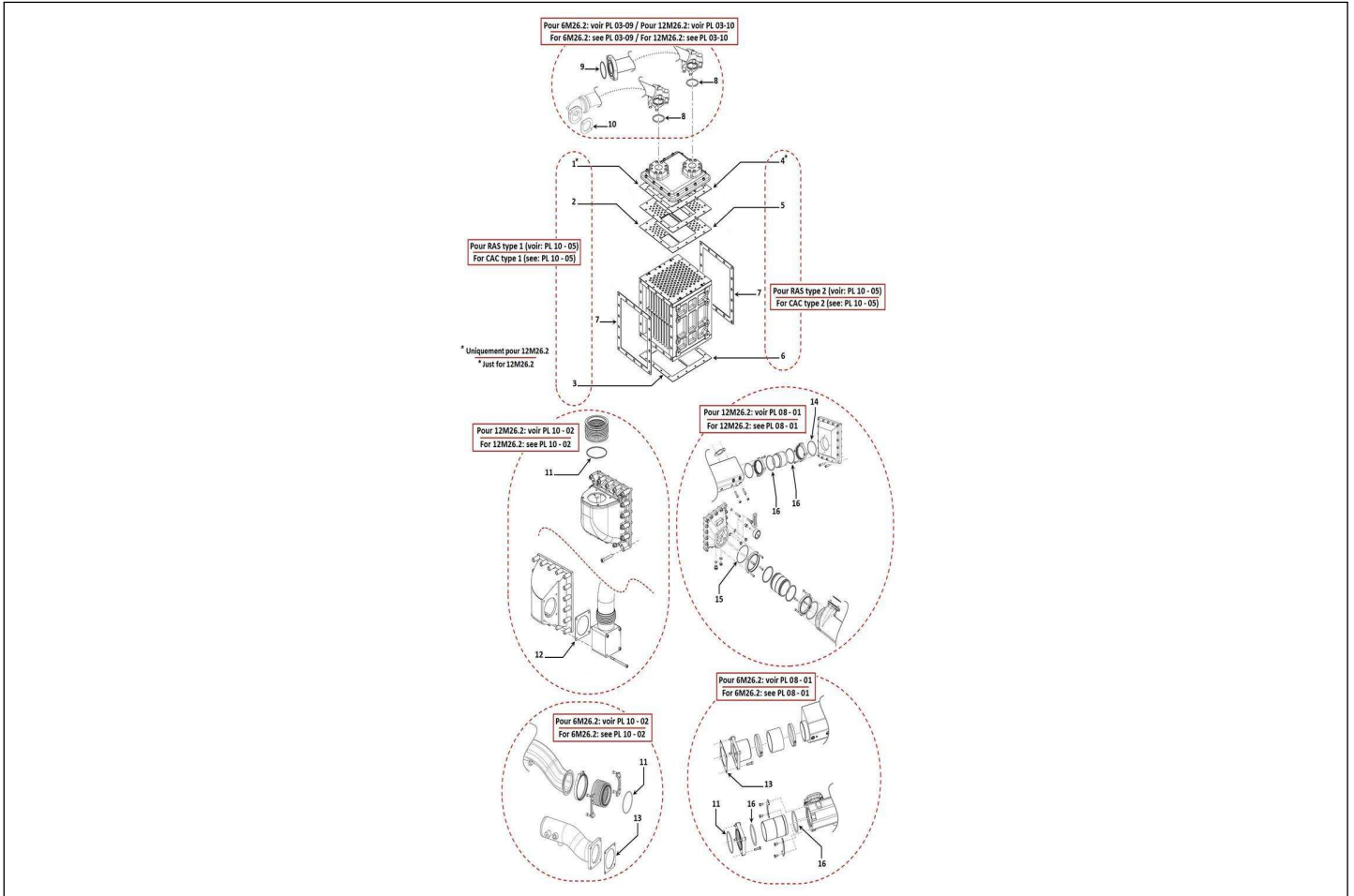
Rep	Reference	Description	Qty	Remarks
1	15101841V	TUBE INF ALIMENT HUILE TC D 12	1	
2	15101851F	TUBE INF ALIMENT HUILE G 12M26	1	
3	15101197V	TUBE ALIM HUILE TC TB M26V/SR4	1	
4	15101187J	TUBE ALIM.HUILE T.C BD M26V/SR	1	
5	15100330C	DBLE BIC CONNECTION 14 3A14	2	
6	15609400P	TURBO GASKET KIT	1	
7	77753170Q	SCREW CHC 10 1.50 25 25	12	
8	14400477S	COLLAR RSGU 1 14 20	4	
9	77752000T	SCREW H8 1.25 16 16	2	
10	77752020Q	SCREW H8 1.25 20 20	2	
11	77795420P	WASHER Z 8 U 8,2 16 1,5	4	
12	15101140H	RIGHT TC OIL RETURN TUBE	1	
13	15101150T	LEFT TC OIL RETURN TUBE	1	
14	13533370K	GASKET	2	



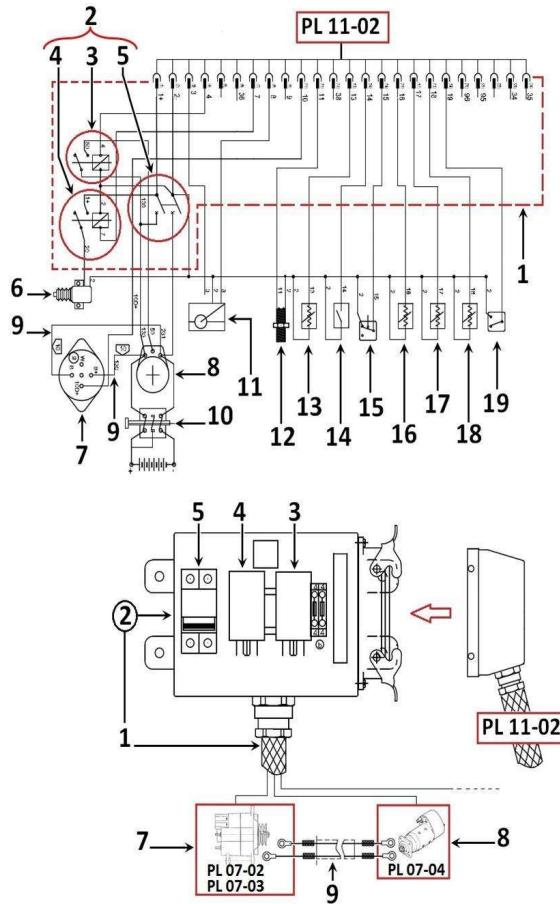
Rep	Reference	Description	Qty	Remarks
1	15102441A	SUPPORT	1	
2	15102451H	SUPPORT	1	
3	77753170Q	SCREW CHC 10 1.50 25 25	10	
4	77753810L	SCREW CHC 10 1.50 55 32 12.9	4	
5	77752250Q	SCREW CHC 8 1.25 30 30 12.9	8	
6	77756190Y	SCREW CHC 16 2.00 45 45	4	
7	15102391S	CAP GASKET	4	
8	15109270V	CAP	1	Is in N°RAS type 1:
9	15109250Y	FLAT GASKET	1	Is in N°RAS type 1:
10	15109241N	FLAT GASKET	1	Is in N°RAS type 1:
11	15109240M	FLAT GASKET	1	Is in N°RAS type 1:
12	15102840F	PLAQUE MARTYRE RAS 6&12M26.2	1	Is in N°RAS type 1:
14	9000000073	SCREW CHC 6 1.00 35 35 10.9	16	Is in N°RAS type 1:
16	15109360S	CAP GASKET	1	Is in N°15102341N
17	15609620D	KIT MISE A NIVEAU RAS CW M26.2	1	Is in N°15102341N / Kit containing:
18	15109351H	CAP GASKET	1	Is in N°15102341N & in N°15609620D
19	15109350G	GASKET	1	Is in N°15102341N & in N°15609620D
21	77752470E	SCREW CHC 8 1.25 40 28 12.9	8	Is in N°15102341N & in N°15609620D
22	77752440X	SCREW CHC 8 1.25 50 28	8	Is in N°15102341N & in N°15609620D
-	15600440A	AIR COOLER GASKET KIT	1	

10 - Turbocharging

GASKET KIT FOR CAC ASSEMBLING



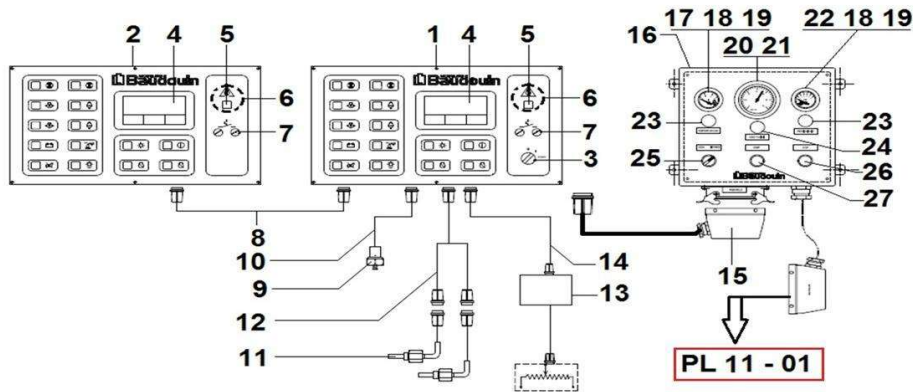
Rep	Reference	Description	Qty	Remarks
-	15600440A	AIR COOLER GASKET KIT	2	Kit containing:
1	15109240M	FLAT GASKET	1	Is in N°15600440A
2	15109241N	FLAT GASKET	1	Is in N°15600440A
3	15109250Y	FLAT GASKET	1	Is in N°15600440A
4	15109350G	GASKET	1	Is in N°15600440A
5	15109351H	CAP GASKET	1	Is in N°15600440A
6	15109360S	CAP GASKET	1	Is in N°15600440A
7	15102391S	CAP GASKET	2	Is in N°15600440A
8	77711980T	O RING 46 x 3	2	Is in N°15600440A
9	77712040J	O RING 47 x 2	2	Is in N°15600440A
10	14031820D	OVAL GASKET 40x61x64 ELASTOMER	1	Is in N°15600440A
11	16010140B	O RING 104,37 3,53 NITR	2	Is in N°15600440A
12	15100650A	GASKET	1	Is in N°15600440A
13	15102721B	FLAT GASKET	2	Is in N°15600440A
14	27551720X	O RING 101 3 NITR	1	Is in N°15600440A
15	77712090N	O RING 134.5 3 VITO	2	Is in N°15600440A
16	77712050V	O RING 100 5 VITO	2	Is in N°15600440A



Rep	Reference	Description	Qty	Remarks
1	15112350S	WIRING HARNESS 12M26.2 STANDAR	1	Kit containing:
2	15112040F	BOITE DE Racdt.ELECT. M26	1	Is in N°15112350S / Kit containing:
3	15119390V	RELAIS "FINDER" SERIE 65 1NO	1	Is in N°15112350S & in N°15112040F
4	15119360M	RELAIS "FINDER" SERIE 65 NO/NC	1	Is in N°15112350S & in N°15112040F
5	15119650F	DISJONCTEUR 2P/2D 10A MG20545	1	Is in N°15112350S & in N°15112040F
6	77727370X	ELECTRO DE STOP	1	
7	15570330X	ALTERNATOR BOSCH 28V_55A PREPA	1	
7	77726780F	ALTERNATOR 175A PREPARED "M26"	1	
8	77726640D	STARTER QB 24V 9KW	1	
9	77740500T	LIAISON ALT.175A/DEMR.12M26	1	
10	77727860E	COUPE BATTERIE BIPOL.ROTATIF	1	
11	77727160T	NIVEAU D'EAU ECHANGE. NF	1	
12	15111170K	MAGNETIC SENSOR	1	
13	16011530M	TEMP. SENSOR 40-120° M18X150	1	
14	77728440K	Leak recuperator box	1	
15	15110200F	MANOCONTACT"DANFOSS" NC 1,6Bar	1	
16	77740640W	PRESSURE SENSOR REPLACEMENT	1	
17	16011530M	TEMP. SENSOR 40-120° M18X150	1	
18	77740640W	PRESSURE SENSOR REPLACEMENT	1	
19	15110190V	THERMOCONTACT-KPS80 90°NO	1	

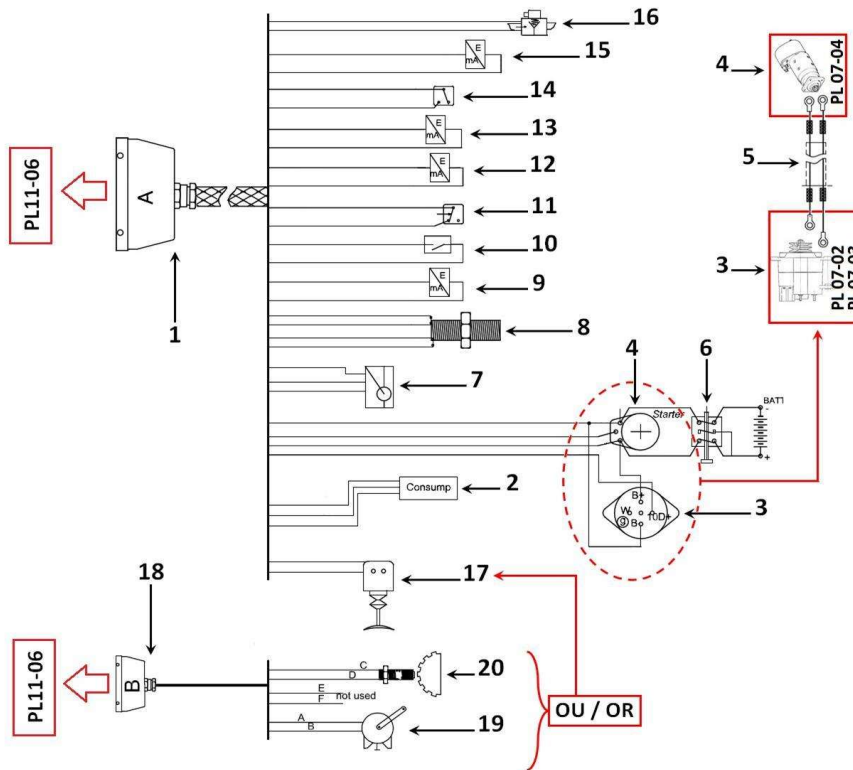
11 - Circuit

PANEL WIRING (TYPE2)



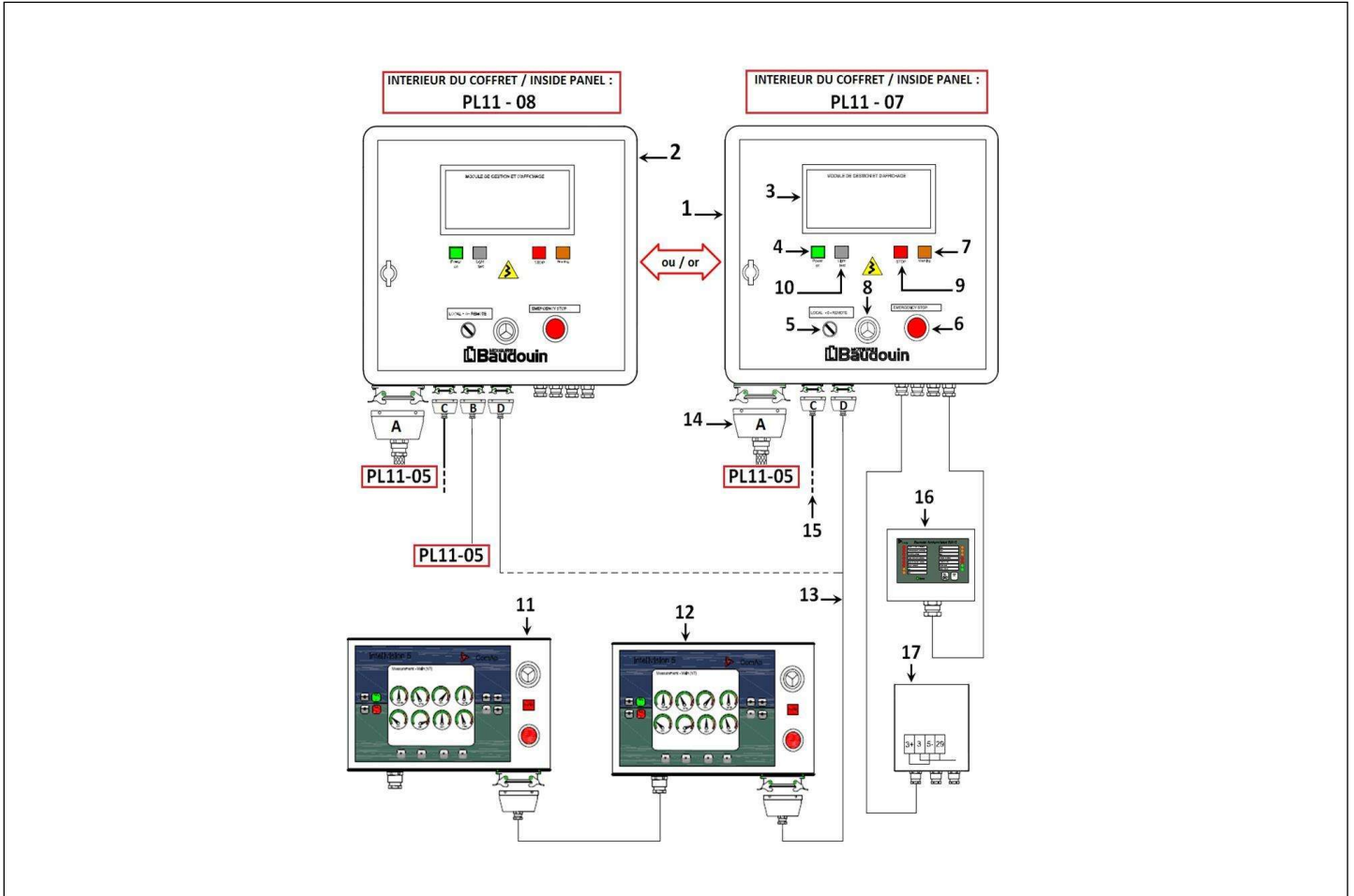
Rep	Reference	Description	Qty	Remarks
1	77727196H4.0	##	1	
1	15112130D	PUPITRE PASSERELLE "MAITRE"	1	
2	15112131E	PUPITRE PASSERELLE "ESCLAVE"	1	Kit containing:
3	15119530X	CONTACTEUR A CLE (E30)	1	Is in N°15112131E
4	15119720D	CARTE + ECRAN P/pupitre TYPE2	1	Is in N°15112131E
5	15119680K	PUSH BUTTON - RED 18X18 LMI	1	Is in N°15112131E
6	15119700G	BUZZER 24Vcc	1	Is in N°15112131E
7	15119660N	FUSE 5X20 3,15A	1	Is in N°15112131E
8	15112140P	FAISCE.LIAISON PU. "MAIT/ESC"	1	
8	15112141Q	##	1	
9	77727200M	SENSOR - PRESSURE 0-3 b 4-20mA 1/4	1	
10	77740130R	AIR PRESSURE WIRE 15M	1	
10	77740131S	AIR PRESSURE WIRE 25M	1	
11	77740100J	SENSOR - TEMPERATURE	2	
12	77740110V	WIRE BONDING EXHAUST TEMPERATU	1	
12	77740111W	WIRE BONDING EXHAUST TEMPERATU	1	
13	77740420G	MESURE COURSE CREMAILLE. 8/12	1	
14	77740400K	LIAISON Pu/Mot.15M ECONOMETRE	1	
14	77740401L	LIAISON Pu./Mot.25M ECONOMETRE	1	
15	15111585L	FAISCEAU LIAIS 10M MOT/TYPE2	1	
15	15111586M	FAISCEAU LIAISON 25M MOT/TYPE2	1	

16	77727251S	COFFRET SALLE DES MACHINES	1	Kit containing:
17	15119100E	TEMPERATURE INDICATOR	1	Is in N°77727251S
18	16025220S	ADAPTER - INDICATOR 24V	2	Is in N°77727251S
19	15119520L	SOCKET	2	Is in N°77727251S
20	15111270T	ANALOG TACHOMETER.0-3000T/m	1	Is in N°77727251S
21	15119510A	LAMPE 12V P/TACHYMETRE ANALOG.	1	Is in N°77727251S
22	15119090T	PRESSURE INDICATOR 0-10 b "LMI"	1	Is in N°77727251S
23	15119430N	VOYANT COMPLET ROUGE P/ARMOIRE	2	Is in N°77727251S
24	15119440Z	VOYANT COMPLET VERT P/ARMOIRE	1	Is in N°77727251S
25	15119550T	INTER.ROTATIF COFFRET MACHINE	1	Is in N°77727251S
26	15119460W	PUSH BUTTON RED	1	Is in N°77727251S
27	15119450K	PUSH BUTTON BLACK	1	Is in N°77727251S
-	15119400F	LOT LAMPE 24V P/ARMOIRE MACHI.	1	Is in N°77727251S



Rep	Reference	Description	Qty	Remarks
1	15112500F	WIRING HARNESS STD 12M26-2	1	
2	77740420G	MESURE COURSE CREMAILLE. 8/12	1	
3	15570330X	ALTERNATOR BOSCH 28V_55A PREPA	1	
3	77726780F	ALTERNATOR 175A PREPARED "M26"	1	
4	77726640D	STARTER QB 24V 9KW	1	
5	77740500T	LIAISON ALT.175A/DEMR.12M26	1	
6	77727860E	COUPE BATTERIE BIPOL.ROTATIF	1	
7	77727160T	NIVEAU D'EAU ECHANGE. NF	1	
8	16200200N	DOUBLE MAGNETIC SENSOR	1	
9	15112580S	TEMP. SENSOR 0-200°C M18 4-20mA	1	
10	77728440K	Leak recuperator box	1	
11	15112220B	MANOCONTACT TBP° HUILE MOT 1.6	1	
12	15112410H	SENSOR - PRESSURE SENSOR 0-10	1	
13	15112580S	TEMP. SENSOR 0-200°C M18 4-20mA	1	
14	15112210Q	THERMOCONTACT "DANFOSS" 90°C	1	
15	77740102L	EXHAUST TEMP. SENSOR	1	
16	15111101K	SOLENOID VALVE	1	
17	77727370X	ELECTRO DE STOP	1	
18	15113200R	##	1	
-	15113170J	##	-	
19	15551440P	ACTUATOR WOODWARD	1	

20	15551470X	MAGNETIC SENSOR	1
-	77740260H	MANETTE DE CDT.VITESSE MOT/PR.	1

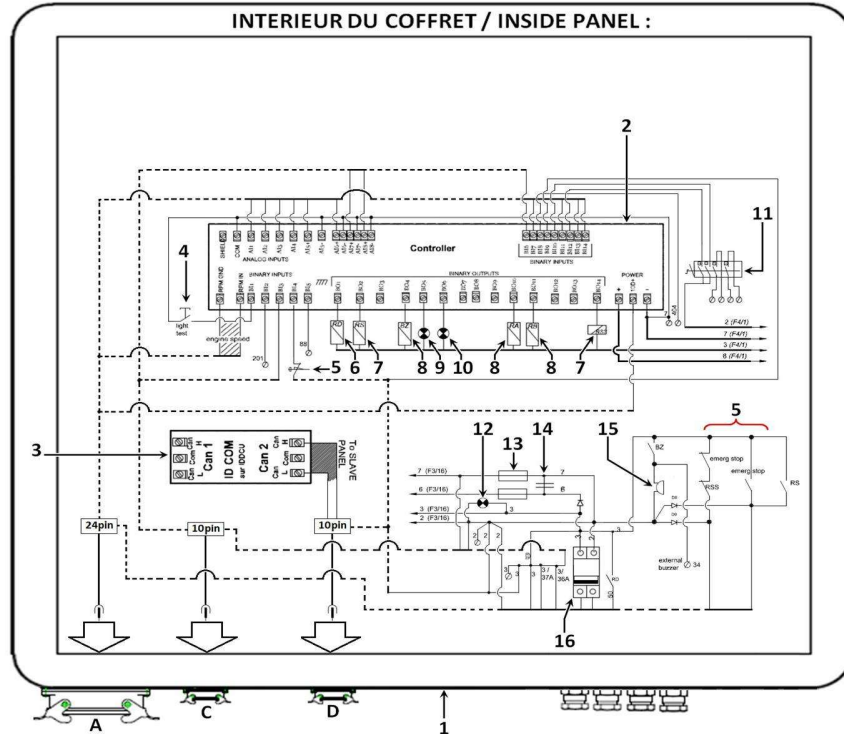


Rep	Reference	Description	Qty	Remarks
1	15113500S	##	1	
2	15113510D	##	1	Kit containing:
3	16200180R	ID-DCU CONTROLLER MARINE	1	Is in N°15113510D
4	16100887P	VOYANT VERT 18X18 TELEM.	1	Is in N°15113510D
5	16100883K	B.ROTATIF 3 POSITIONS P/GEB	1	Is in N°15113510D
6	15119880C	EMERGENCY SWITCH	1	Is in N°15113510D
7	16045471E	VOYANT CPLET ORANGE 18X18 TELE	1	Is in N°15113510D
8	15119700G	BUZZER 24Vcc	1	Is in N°15113510D
9	16100888Q	VOYANT CPLET. ROUGE 18X18 TELE	1	Is in N°15113510D
10	77740980Q	PUSH BUTTON	1	Is in N°15113510D
11	15113390Y	##	1	
12	15113390Y	##	-	
13	77740970E	##	1	
13	77740971F	##	1	
13	77740972G	FAISCEAU MACH/PASS M26 & W 35M	1	
14	15112500F	WIRING HARNESS STD 12M26-2	1	
-	15112590D	##	-	
15	15113185A	##	1	
15	15113186B	##	1	
15	15113187C	##	1	
16	15113631K	##	1	

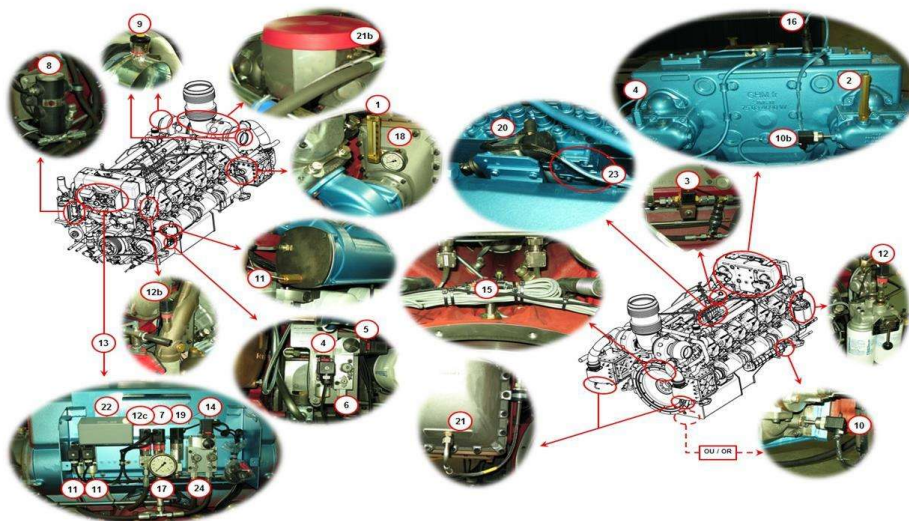
17	13578935M	AUDIBLE ALARM BOX	1
----	-----------	-------------------	---

11 - Circuit

MECANICAL SPEED CONTROL PANEL

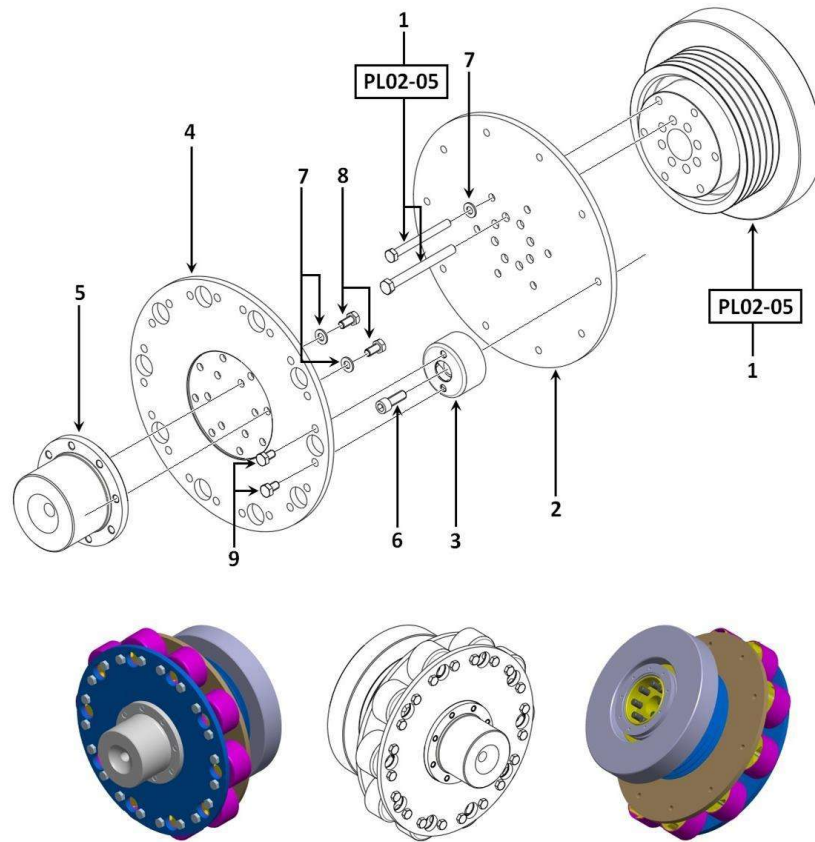


Rep	Reference	Description	Qty	Remarks
1	15113500S	##	1	Kit containing:
2	16200180R	ID-DCU CONTROLLER MARINE	1	Is in N°15113500S
3	77740680P	##	1	Is in N°15113500S
4	77740980Q	PUSH BUTTON	1	Is in N°15113500S
5	15119880C	EMERGENCY SWITCH	1	Is in N°15113500S
6	15119390V	RELAIS "FINDER" SERIE 65 1NO	1	Is in N°15113500S
7	15119360M	RELAIS "FINDER" SERIE 65 NO/NC	2	Is in N°15113500S
8	15119605Q	RELAIS "FINDER" SERIE 40 2RT	3	Is in N°15113500S
9	16100888Q	VOYANT CPLET. ROUGE 18X18 TELE	1	Is in N°15113500S
10	16045471E	VOYANT CPLET ORANGE 18X18 TELE	1	Is in N°15113500S
11	16100883K	B.ROTATIF 3 POSITIONS P/GE B	1	Is in N°15113500S
12	16100887P	VOYANT VERT 18X18 TELEM.	1	Is in N°15113500S
14	77741000M	##	1	Is in N°15113500S
15	15119700G	BUZZER 24Vcc	1	Is in N°15113500S
16	15119650F	DISJONCTEUR 2P/2D 10A MG20545	1	Is in N°15113500S
A	77741060C	##	1	Is in N°15113500S
C	77741040F	##	1	Is in N°15113500S
D	77741040F	##	1	Is in N°15113500S

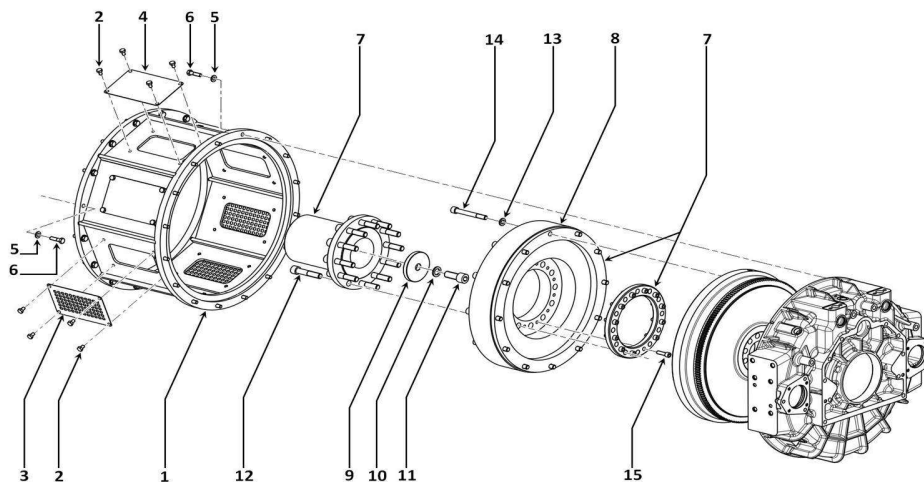


Rep	Reference	Description	Qty	Remarks
1	14110070H	THERMOMETRE 0-200D 18X150	1	
2	15110100X	THERMOMETRE	1	
3	15111101K	SOLENOID VALVE	1	
4	15112210Q	THERMOCONTACT "DANFOSS" 90°C	1	
5	15112220B	MANOCONTACT TBP° HUILE MOT 1.6	1	
6	15112230M	VANNE TEST MBV 5000 DANFOSS	1	
7	15112410H	SENSOR - PRESSURE SENSOR 0-10	1	
8	77728440K	Leak recuperator box	1	
9	77728920B	AIR FILTER CLOGGING SENSOR	2	
10	15112580S	TEMP. SENSOR 0-200°C M18 4-20mA	1	
10b	15112580S	TEMP. SENSOR 0-200°C M18 4-20mA	1	
11	15112810S	THERMOCONTACT "DANFOSS" 50°C	2	
12	15112870H	SENSOR - PRESSURE 0-6b "DANFOSS"	1	
12b	15112870H	SENSOR - PRESSURE 0-6b "DANFOSS"	1	
12c	15112870H	SENSOR - PRESSURE 0-6b "DANFOSS"	1	
13	15113090X	DANFOSS BOX M26.2 IACS	1	
14	15113370B	##	1	
15	16200200N	DOUBLE MAGNETIC SENSOR	1	
16	77727160T	NIVEAU D'EAU ECHANGE. NF	1	
17	77716010Z	MANO HUILE DE 0 A 10 BARS	1	
18	77716250K	MANO AIR 0-2,5B 1/4G	1	

19	77727200M	SENSOR - PRESSURE 0-3 b 4-20mA 1/4	1
20	77727370X	ELECTRO DE STOP	1
21	77740102L	EXHAUST TEMP. SENSOR	2
21b	77740102L	EXHAUST TEMP. SENSOR	2
22	77740420G	MESURE COURSE CREMAILLE. 8/12	1
23	15551810R	Capteur BOSCH RW complet	1
24	15113380M	##	1



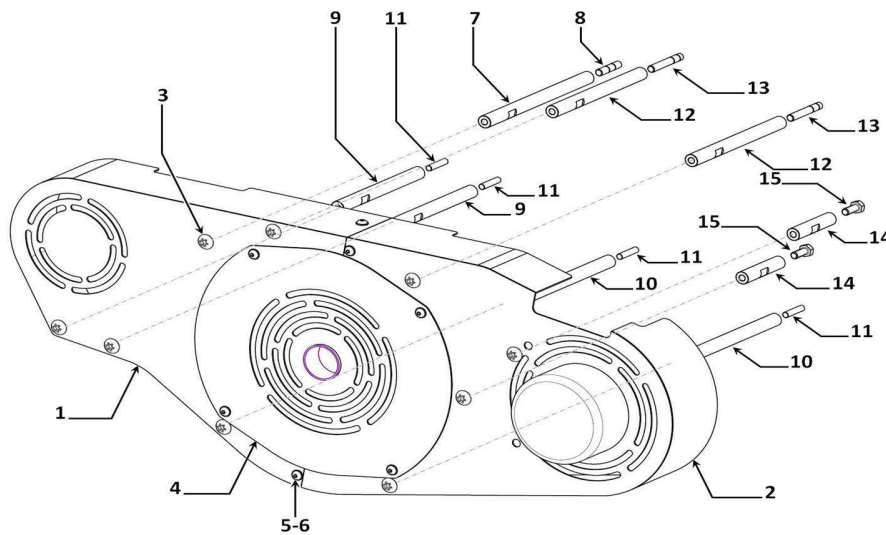
Rep	Reference	Description	Qty	Remarks
-	C3316.100	##	1	Kit containing:
1	C3367.100	POULIE AVANT POUR PTO 1700 Nm	1	Is in N°C3316.100
2	C3316.011	##	1	Is in N°C3316.100
3	15129041K	PLOT AXOFLEX 2V SHORE 45	10	Is in N°C3316.100
4	C3316.012	##	1	Is in N°C3316.100
5	C3316.015	##	1	Is in N°C3316.100
6	77755210H	SCREW CHC 14 2.00 40 40	10	Is in N°C3316.100
7	77795430A	WASHER Z 12 U 12,5 24 2,5 CB	20	Is in N°C3316.100
8	77754010D	SCREW H 12 1.75 25 25	14	Is in N°C3316.100
9	77754460S	SCREW H 12 1.75 20 20	20	Is in N°C3316.100



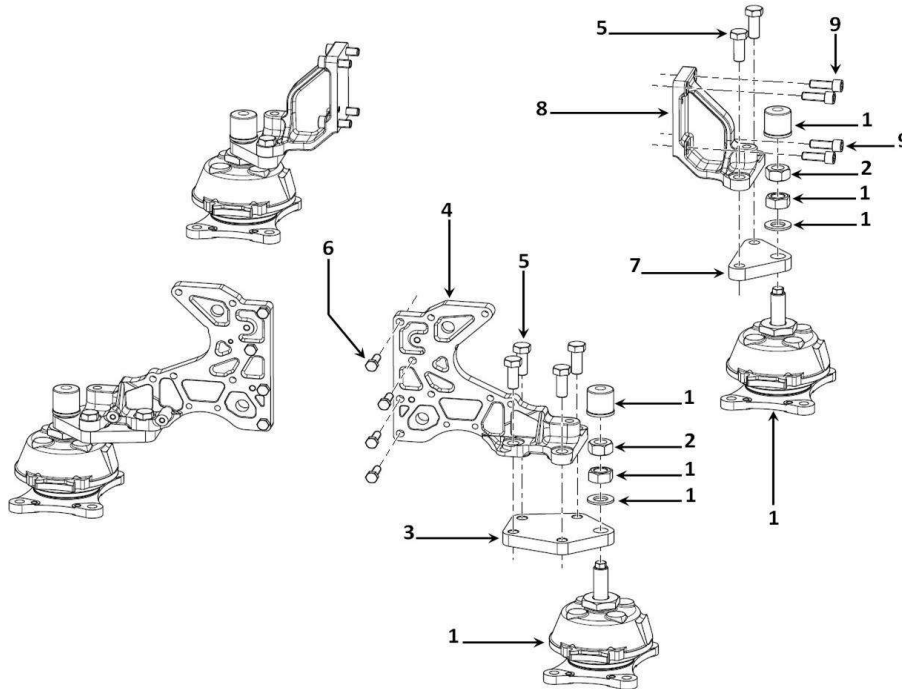
Rep	Reference	Description	Qty	Remarks
1	15170260N	FLANGE	1	
2	77753000F	SCREW H 10 1.50 16 16	32	
3	15170380T	PLAQUE ACCES AJOUREE GEB 12M26	4	
4	15170390E	PLAQUE ACCES PLEINE GEB 12M26	4	
5	77755550F	WASHER 13 25 3	32	
6	77754430K	SCREW H 12 1.75 45 30	32	
7	15120750Y	MANCHON ACC GEB12M26.2 (60Hz)	1	Kit containing:
8	15120780F	ELASTIC COUPLING	1	Is in N°15120750Y
7	15120790R	MANCHON ACC GEB12M26.2 (50Hz)	1	Kit containing:
8	15120770V	ELASTIC COUPLING	1	Is in N°15120790R
9	77797330Q	WASHER 25 118 15	1	
10	77795770V	WASHER 25 39 4	1	
11	77760050T	SCREW CHC 24 3.00 60 60	1	
12	77758160P	SCREW CHC 20 2.50 100 52	12	
13	14010090J	WASHER 16,2 28 4	12	
14	77756190Y	SCREW CHC 16 2.00 45 45	12	
14	77756370T	SCREW CHC 16 2.00 130 38	12	
15	77754220G	SCREW CHC 12 1.75 40 40 12.9	12	

17 - Mounting and protection

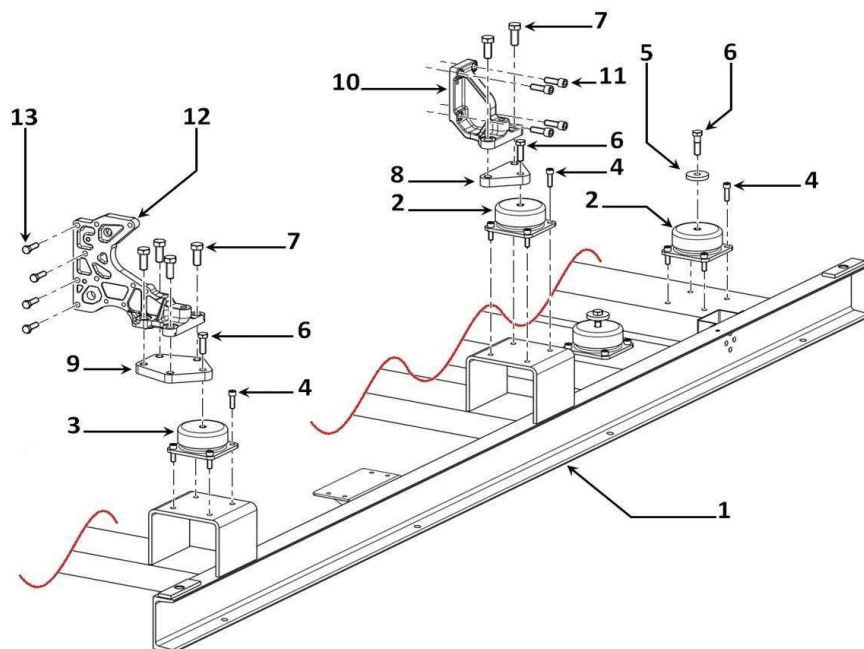
FRONT COVER



Rep	Reference	Description	Qty	Remarks
1	15012590H	FRONT CASING STAR 8-12M26	1	
2	15012930C	##	1	
2	15012600T	FRONT CASING PORT 8-12M26	1	
3	77754680G	SCREW	9	
4	15012680F	TOLE FERMETURE CAPOT 8-12M26	1	
5	77752800N	SCREW	8	
6	77795650P	WASHER M 8 U 8,2 18 1,5 I	8	
7	15012650Y	SPACER	1	
8	77773080G	STUD	1	
9	15012670V	SPACER	2	
10	15012630B	SPACER	2	
11	77772080V	STUD 10(15. 10.20)	4	
12	15012620Q	SPACER	2	
13	77773120A	STUD 12(10.15.45)	2	
14	15012640M	SPACER	2	
15	77754020P	SCREW H 12 1.75 30 30	2	



Rep	Reference	Description	Qty	Remarks
1	77716940K	##	4	
2	77791490S	NUT H 27	4	
3	15170190M	##	2	
4	15012840E	FRONT ENGINE SUPPORT M26.2V	2	
5	77758000Q	SCREW H 20 2.50 50 50	12	
6	77755050J	SCREW H 14 2.00 45 45	8	
7	15170200Y	##	2	
8	15012851R	SUPPORT - ENGINE	2	
9	77756190Y	SCREW CHC 16 2.00 45 45	8	



Rep	Reference	Description	Qty	Remarks
2	77716970S	PLOT PAULSTRA 530642 SHORE60	6	
3	77716980D	PLOT PAULSTRA 530652 SHORE45	2	
4	77754220G	SCREW CHC 12 1.75 40 40 12.9	32	
5	27270420L	WASHER 16,5 59 10	4	
6	77756060G	SCREW H 16 2.00 60 38	8	
7	77758000Q	SCREW H 20 2.50 50 50	12	
8	15170310S	SUPPORT - ENGINE REAR	2	
9	15170300G	SUPPORT - FRONT	2	
10	15012851R	SUPPORT - ENGINE	2	
11	77756190Y	SCREW CHC 16 2.00 45 45	8	
12	15012840E	FRONT ENGINE SUPPORT M26.2V	2	
13	77755050J	SCREW H 14 2.00 45 45	8	